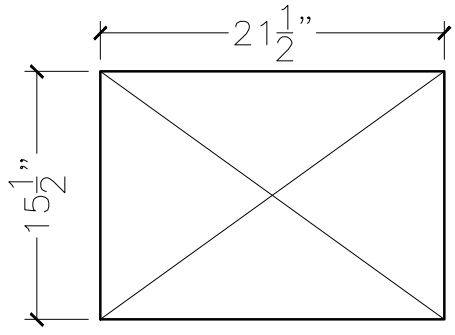
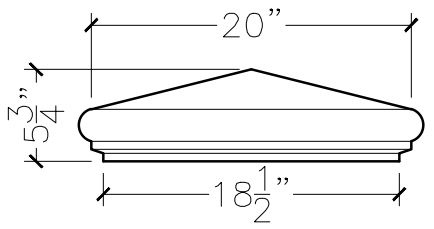


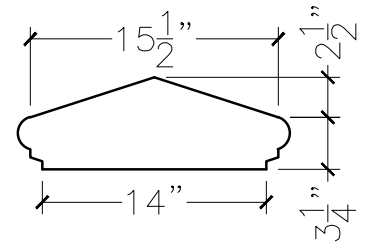
JOB:	MOLD: 14" x 18 $\frac{1}{2}$ " CC-5
BAY#: 96-B	STONE COLOR:
DATE:	SCALE: 1" = 12" NEED:



TOP VIEW



FRONT VIEW



SECTION VIEW