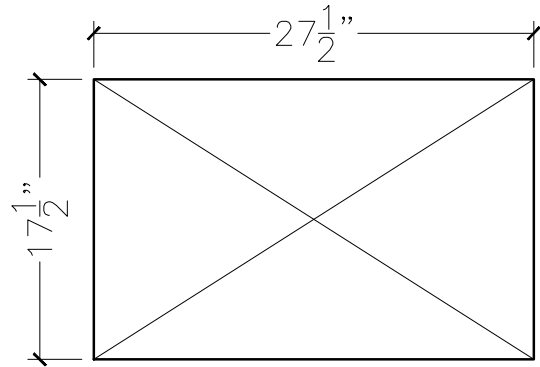
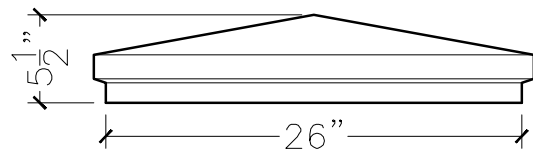


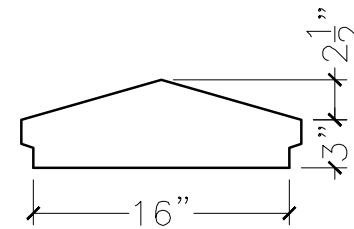
JOB:	MOLD: 16"x26" CC-2
BAY#: 108-A	STONE COLOR:
DATE:	SCALE: 1"=12" NEED:



TOP VIEW



FRONT VIEW



SECTION VIEW