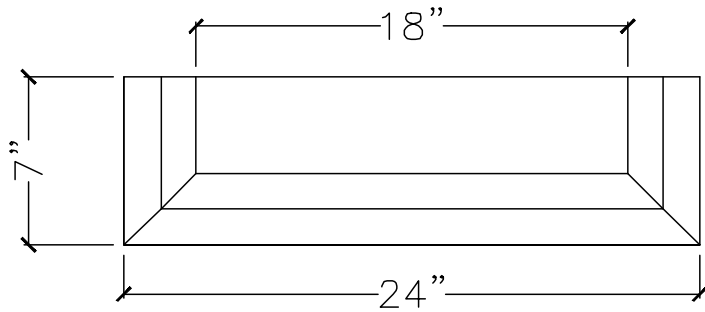
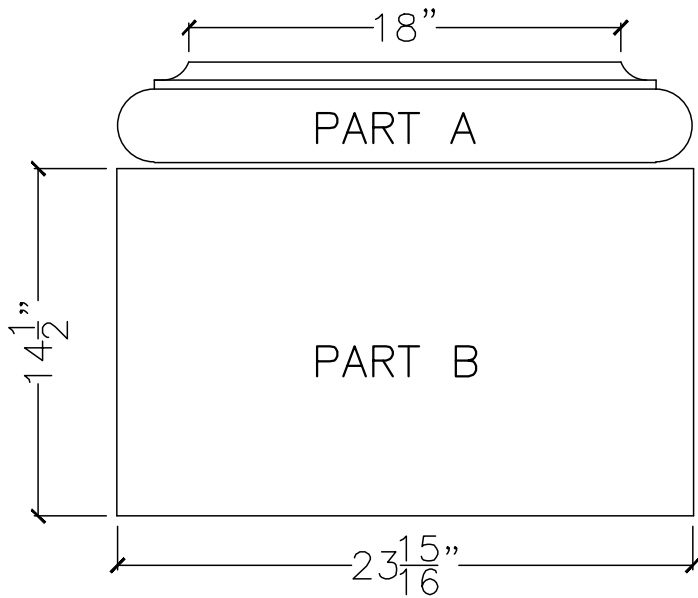


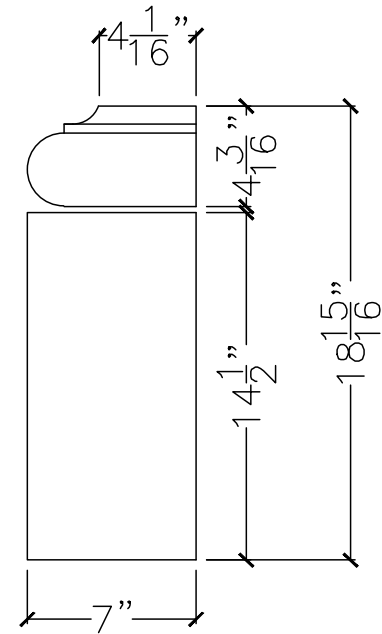
CUSTOMER:	
JOB:	MOLD: 18"SQ.COLUMN BASE
BAY# 80	STONE COLOR:
DATE:	SCALE: 1 $\frac{1}{2}$ "=12" NEED:



TOP VIEW



FRONT VIEW



SECTION VIEW