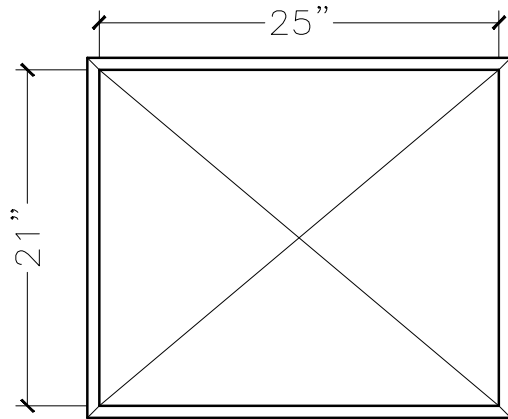
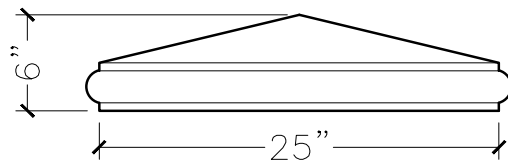


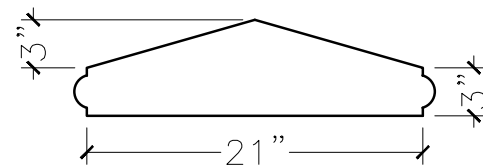
CUSTOMER:	
JOB:	MOLD: 21"X25"CC-4
BAY#: 3-B	STONE COLOR:
DATE:	SCALE: 1"=12" NEED:



TOP VIEW



FRONT VIEW



SECTION VIEW