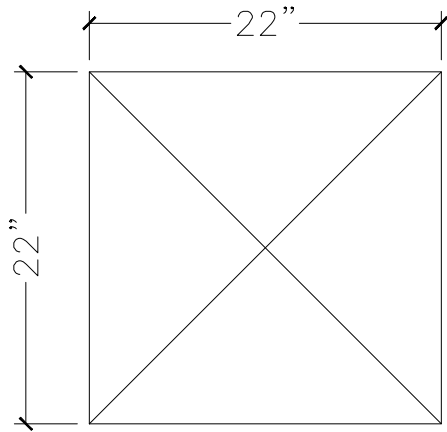
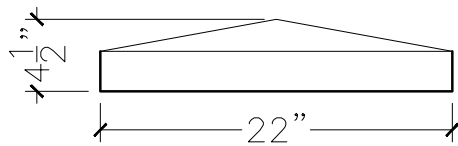


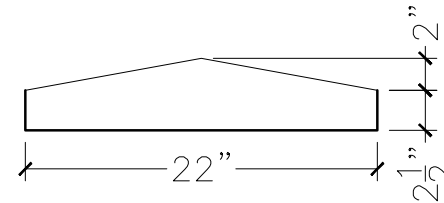
JOB:	MOLD: 22"x22" CC-1 2"RISE
BAY#: 280	STONE COLOR:
DATE:	SCALE: 1"=12" NEED:



TOP VIEW



FRONT VIEW



SECTION VIEW