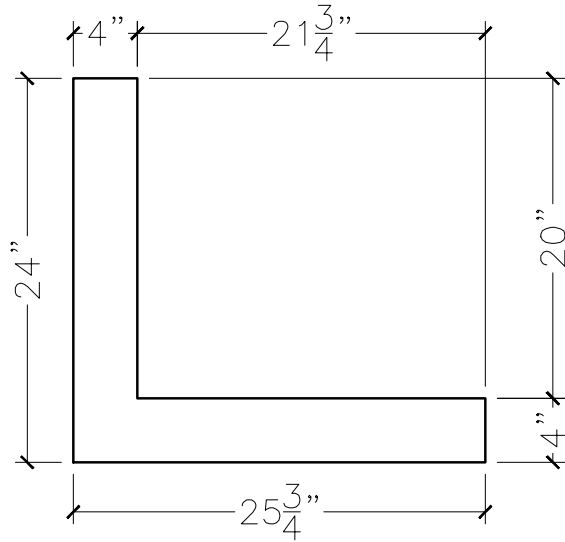
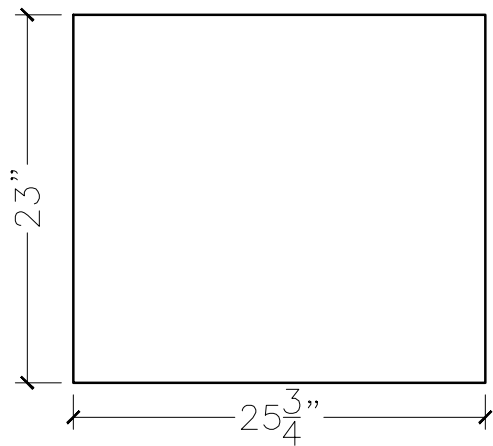


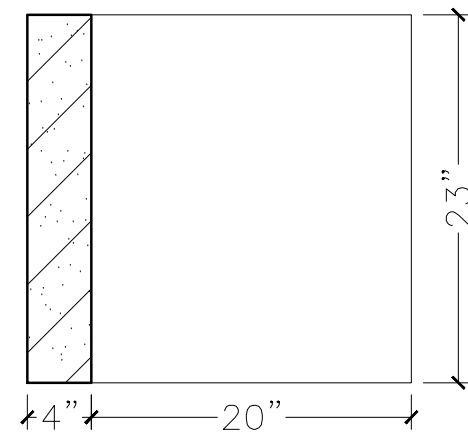
JOB:	MOLD: 24"X25 $\frac{3}{4}$ "X23"TALL Q-1
BAY#: 2-A	STONE COLOR:
DATE:	SCALE: 1"=12" NEED:



TOP VIEW



FRONT VIEW



SECTION VIEW