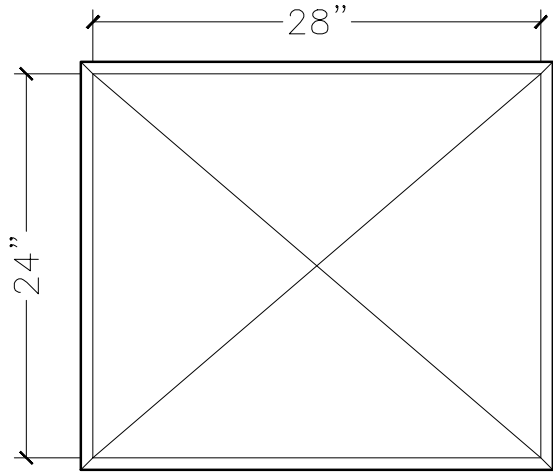
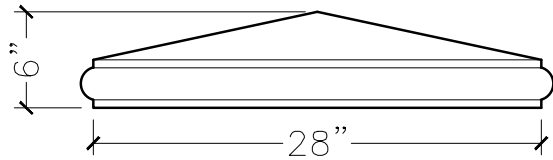


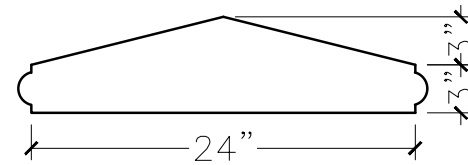
CUSTOMER:	
JOB:	MOLD: 24"X28"CC-4
BAY#: 280-A	STONE COLOR:
DATE:	SCALE: 1"=12" NEED:



TOP VIEW



FRONT VIEW



SECTION VIEW