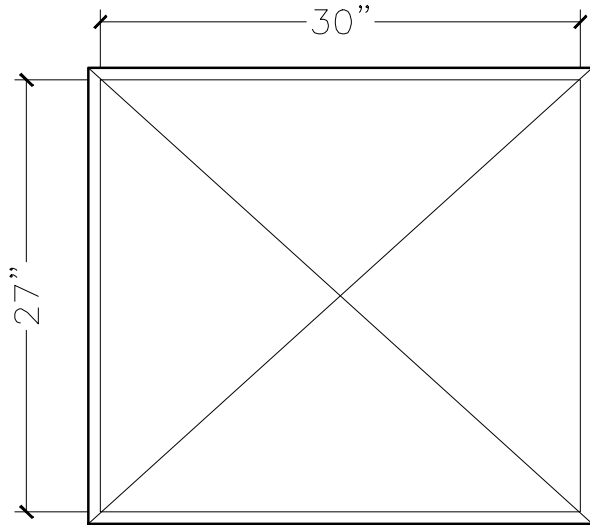
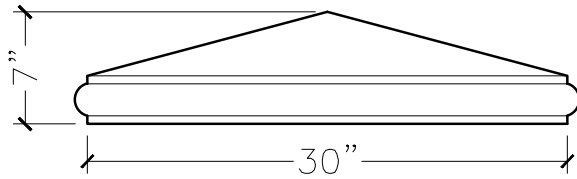


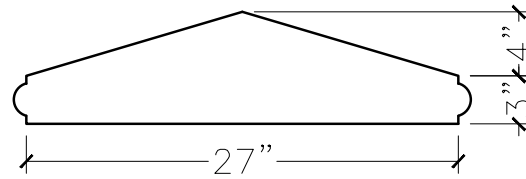
| | |
|-------------|---------------------|
| JOB: | MOLD: 27"x30" CC-4 |
| BAY#: 156-A | STONE COLOR: |
| DATE: | SCALE: 1"=12" NEED: |



TOP VIEW



FRONT VIEW



SECTION VIEW