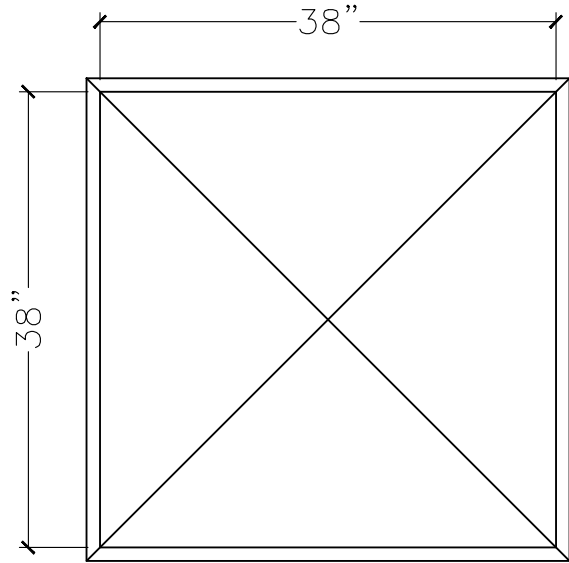
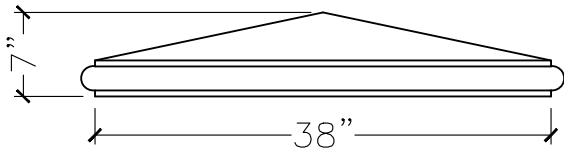


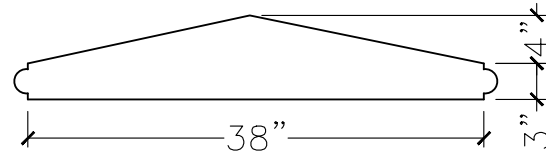
JOB:	MOLD: 38"x38" CC-4
BAY#: 4-A	STONE COLOR:
DATE:	SCALE: $\frac{3}{4}" = 12"$ NEED:



TOP VIEW



FRONT VIEW



SECTION VIEW