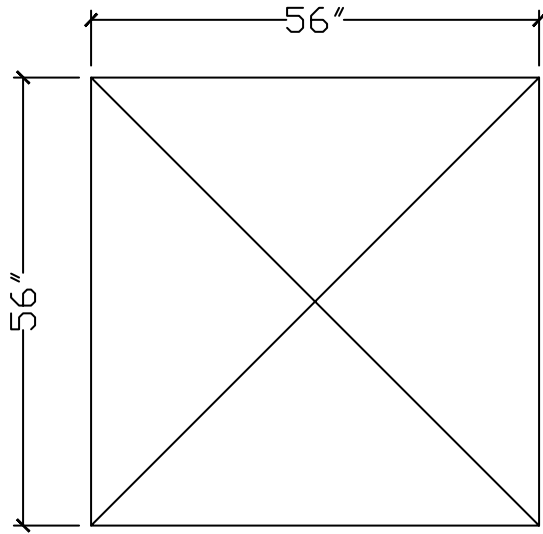
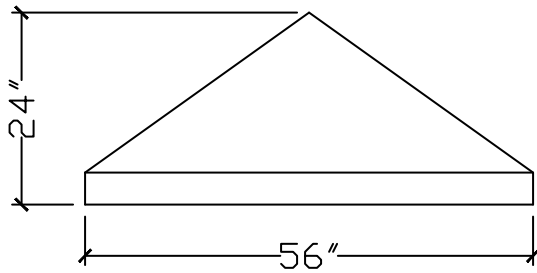


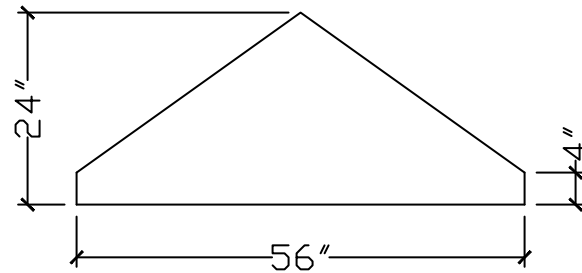
CUSTOMER:	
JOB:	MOLD: 56" x 56" CC-1
BAY#: 155	STONE COLOR:
DATE:	SCALE: $\frac{1}{2}$ " = 12" NEED:



TOP VIEW



FRONT VIEW



SECTION VIEW