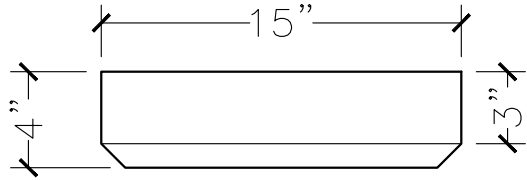
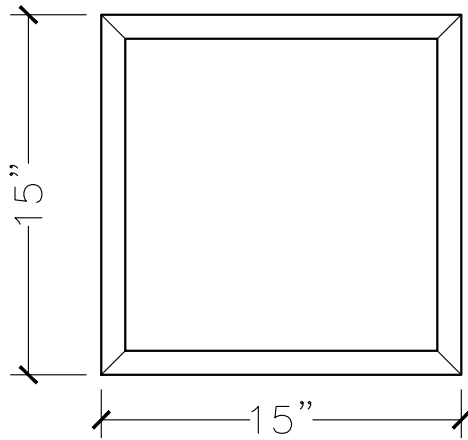


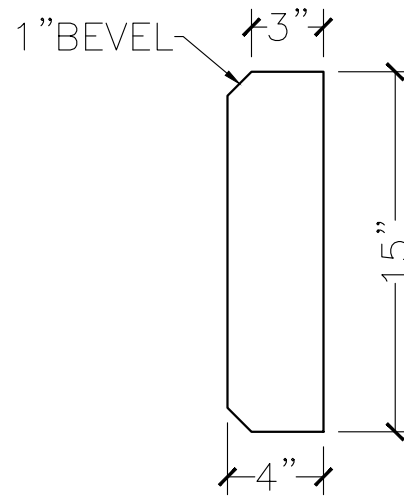
CUSTOMER:	
JOB:	MOLD: BB-38
BAY# 86	STONE COLOR:
DATE:	SCALE: 1 $\frac{1}{2}$ " = 12"      NEED:



TOP VIEW



FRONT VIEW



SECTION VIEW