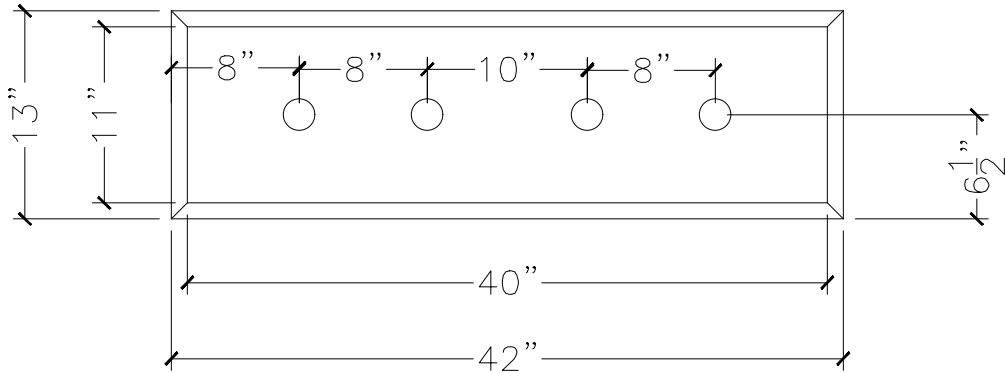
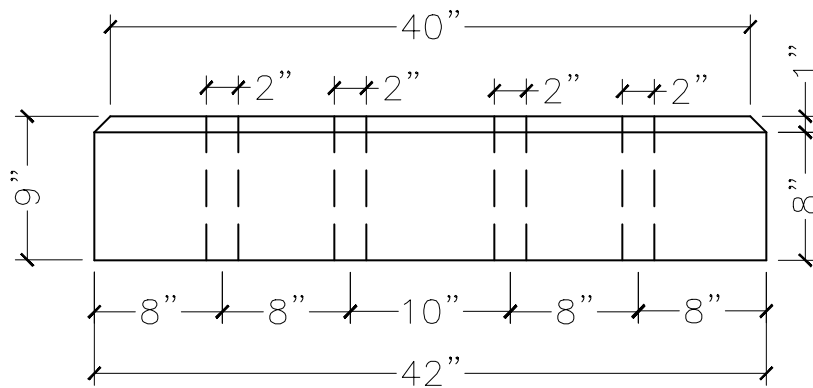


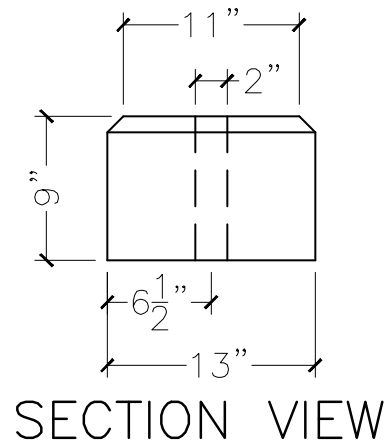
CUSTOMER:	
JOB:	MOLD: BB-89
BAY#: STORAGE BLDG.	STONE COLOR:
DATE:	SCALE: 1"=12" NEED:



TOP VIEW



FRONT VIEW



SECTION VIEW