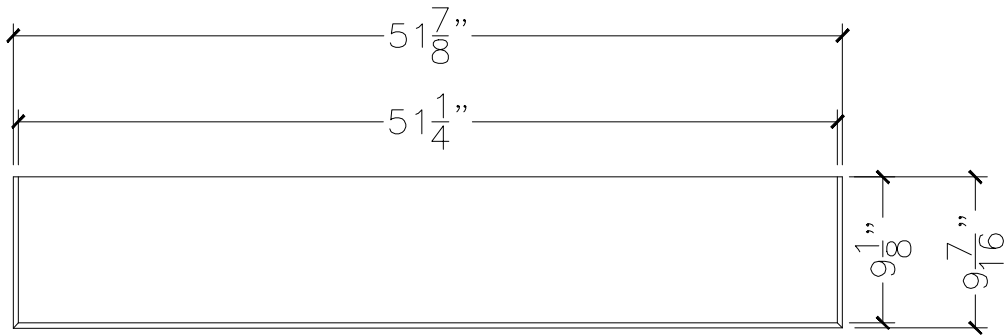
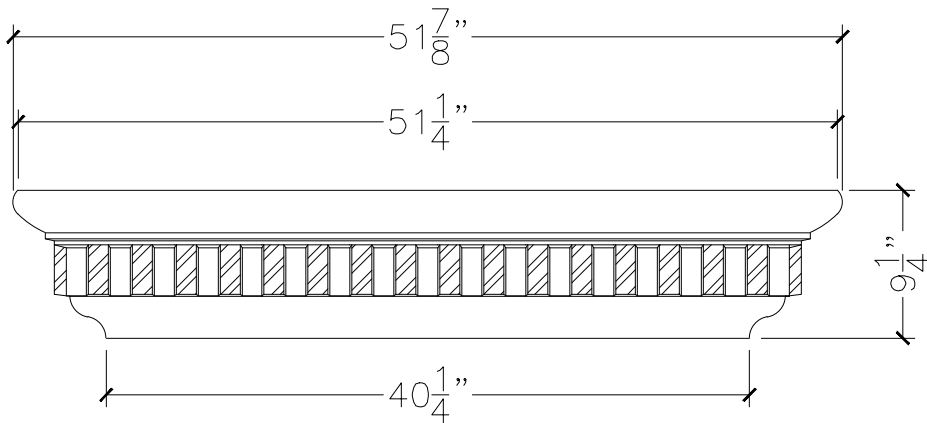


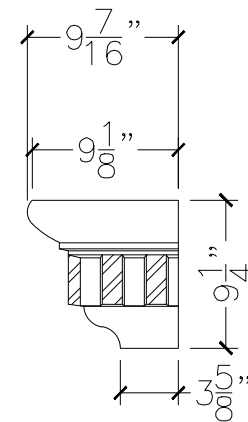
CUSTOMER:	
JOB:	MOLD: BC-139 Dbl. Ret. Dental
BAY#: 179-A	STONE COLOR:
DATE:	SCALE: 1"=12" NEED:



TOP VIEW



FRONT VIEW



SECTION VIEW