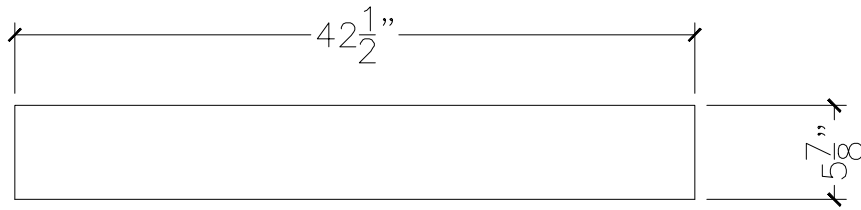
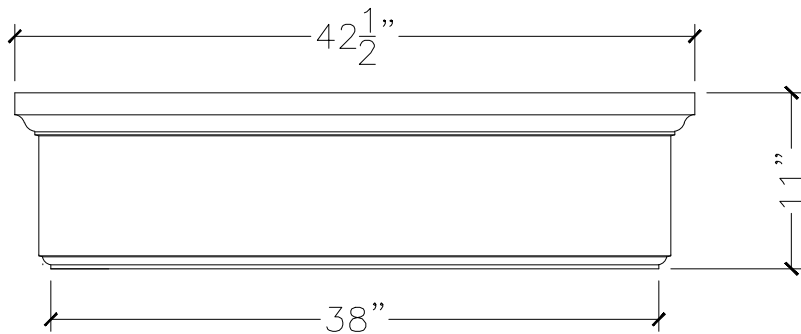


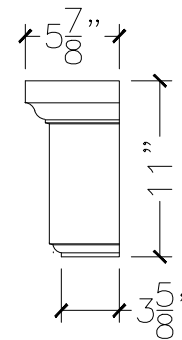
CUSTOMER:	
JOB:	MOLD: BC-140 Dbl. Return
BAY#: 179-A	STONE COLOR:
DATE:	SCALE: 1"=12" NEED:



TOP VIEW



FRONT VIEW



SECTION VIEW