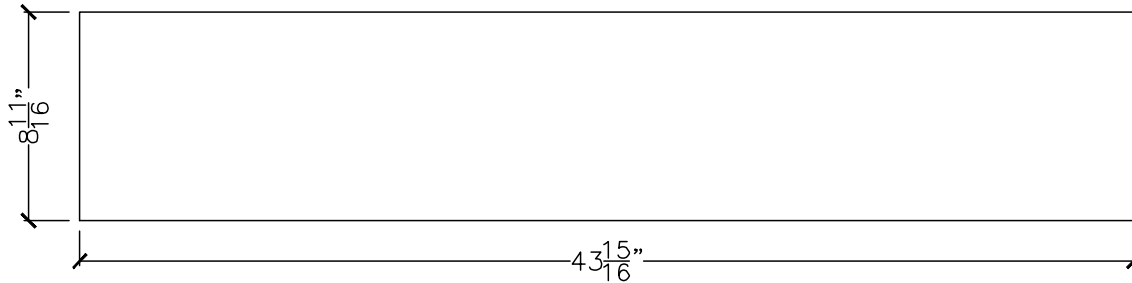
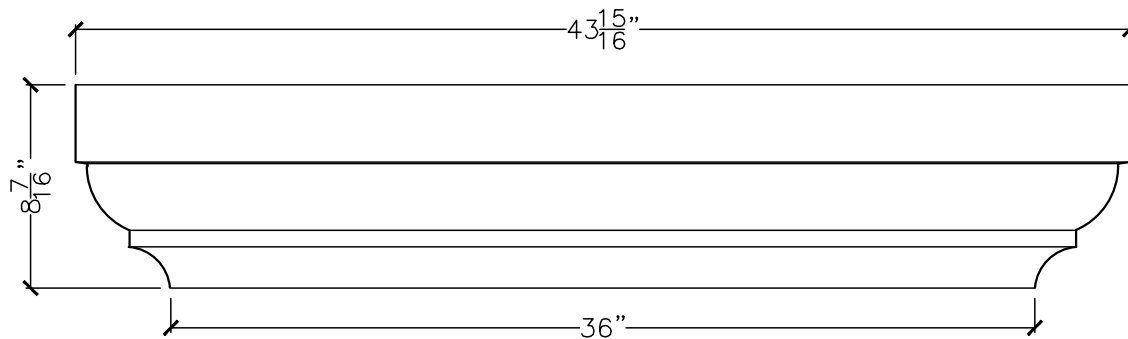


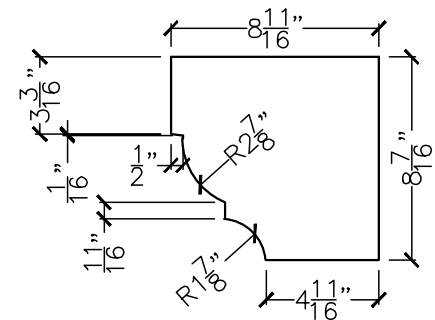
CUSTOMER:	
JOB:	MOLD: BC-144 36"DBL.RET.
BAY#: 176-B	STONE COLOR:
DATE:	SCALE: 1 $\frac{1}{2}$ "=12" NEED:



TOP VIEW



FRONT VIEW



SECTION VIEW