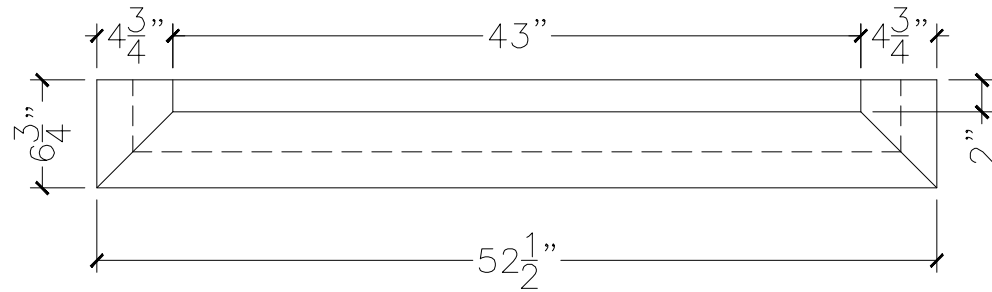
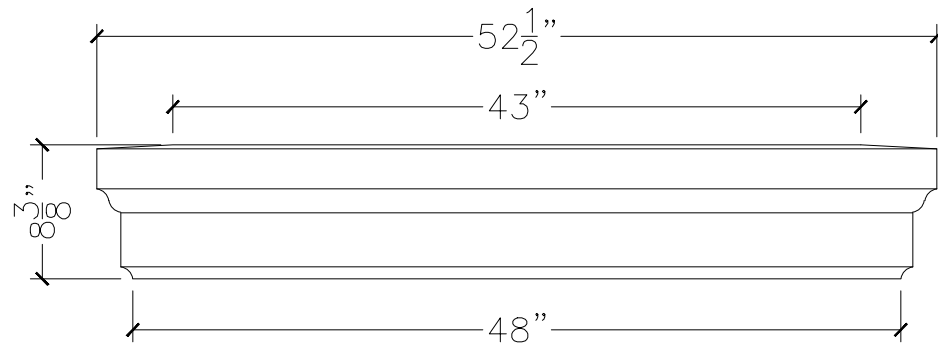


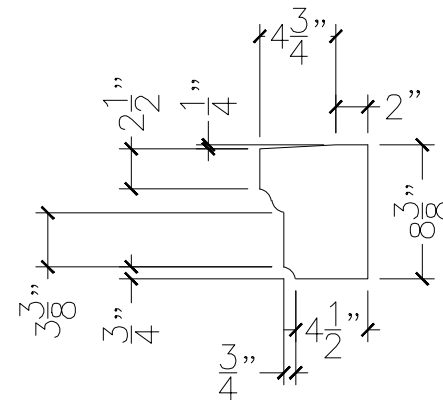
JOB:	MOLD: BC-164 48" D.R.
BAY#: 348-A	STONE COLOR:
DATE:	SCALE: 1"=12" NEED:



TOP VIEW



FRONT VIEW



SECTION VIEW