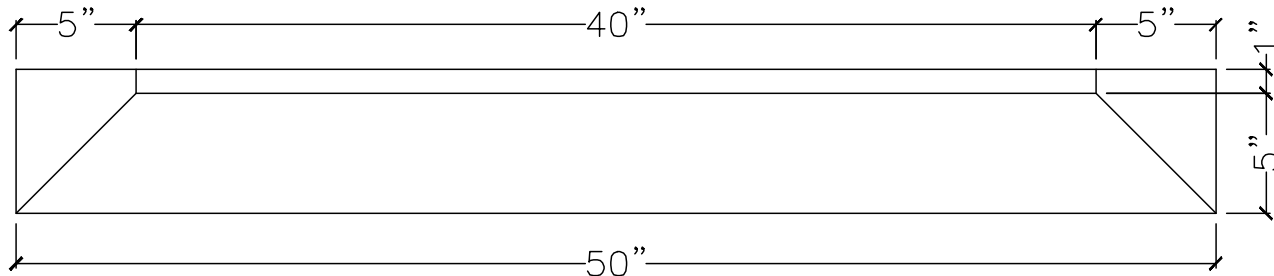
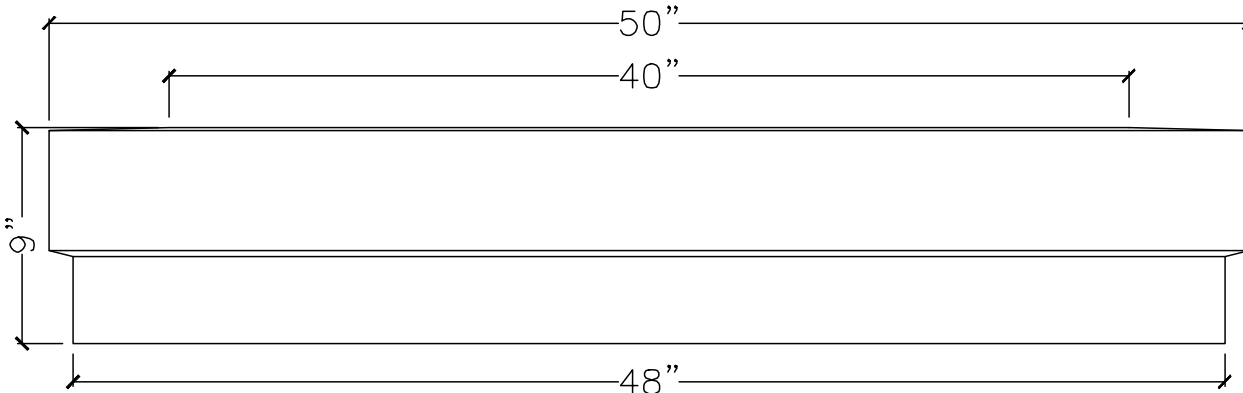


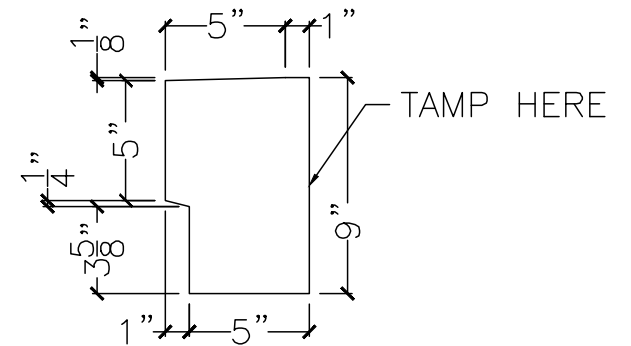
CUSTOMER:	
JOB:	MOLD: BC-173 48"D.R.
BAY#: 276-A	STONE COLOR:
DATE:	SCALE: 1 $\frac{1}{2}$ "=12" NEED:



TOP VIEW



FRONT VIEW



SECTION VIEW