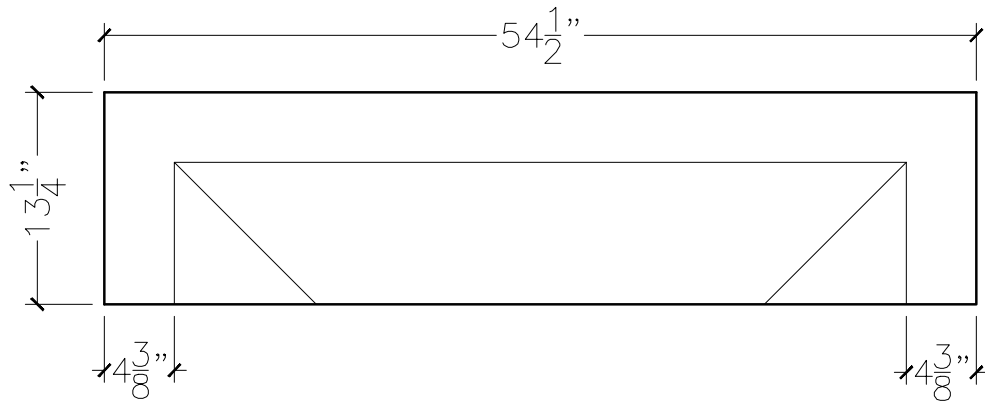
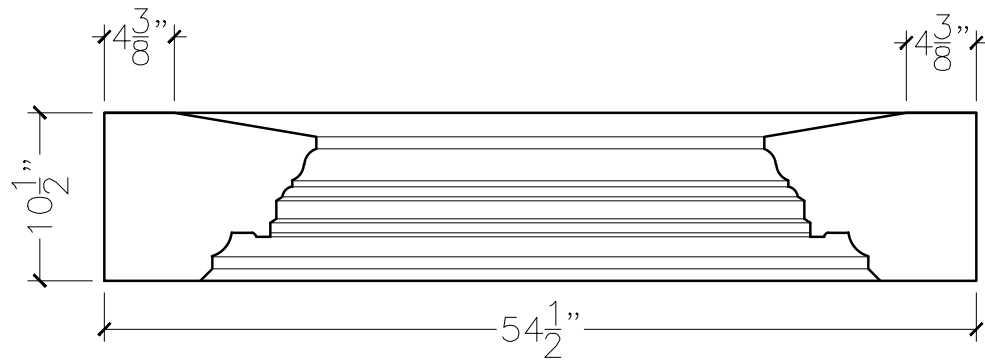


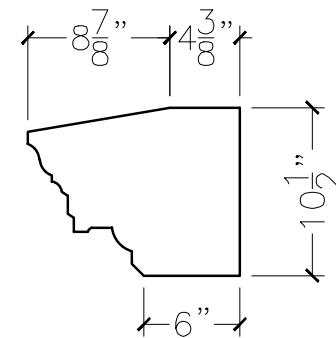
| | |
|-----------|--------------------------------|
| CUSTOMER: | |
| JOB: | MOLD: BC-53 40"DBL.RETURN I.C. |
| BAY#: 46 | STONE COLOR: |
| DATE: | SCALE: 1"=12" NEED: |



TOP VIEW



FRONT VIEW



SECTION VIEW