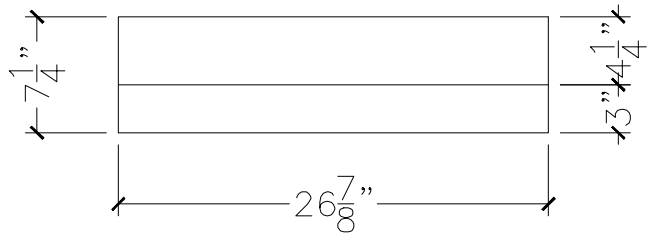
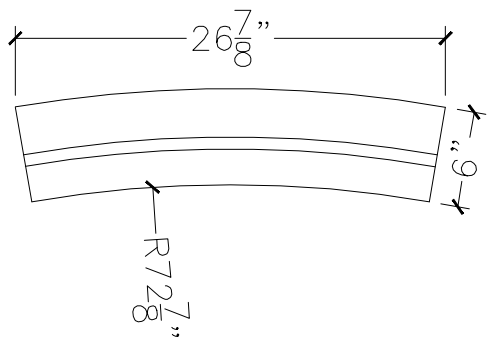


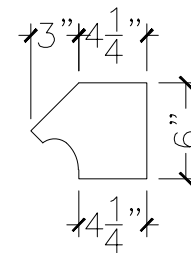
| | |
|-----------|---------------------------------|
| CUSTOMER: | |
| JOB: | MOLD: BC-61 72 $\frac{7}{8}$ "R |
| BAY#: 9-B | STONE COLOR: |
| DATE: | SCALE: 1"=12" NEED: |



TOP VIEW



FRONT VIEW



SECTION VIEW