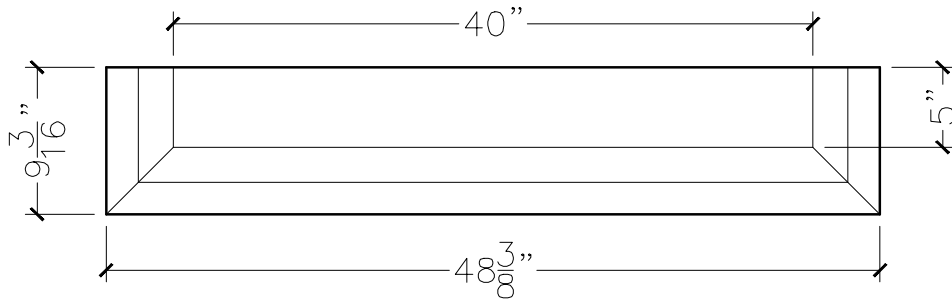
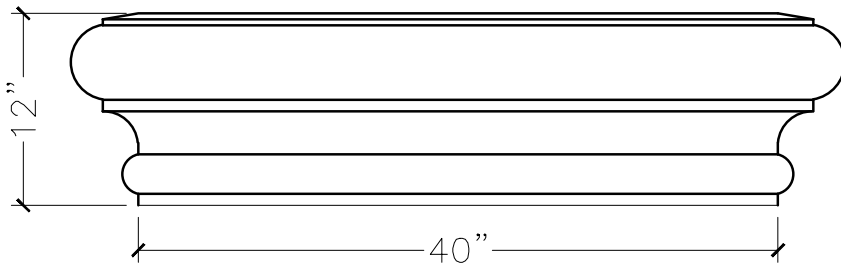


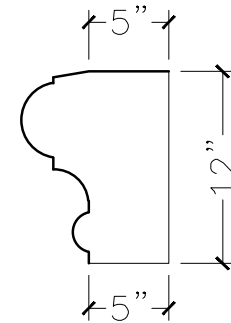
CUSTOMER:	
JOB:	MOLD: BC-69 40"DBL.RETURN
BAY#: 10-A	STONE COLOR:
DATE:	SCALE: 1"=12"      NEED:



TOP VIEW



FRONT VIEW



SECTION VIEW