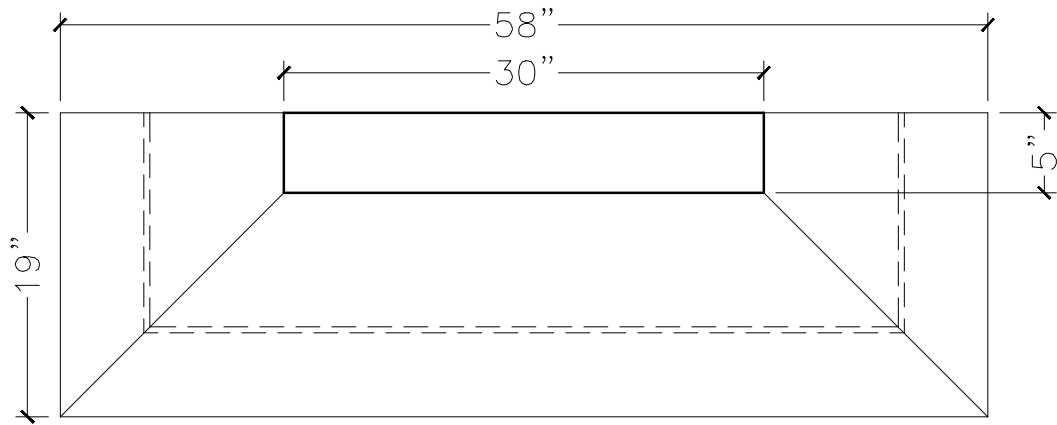
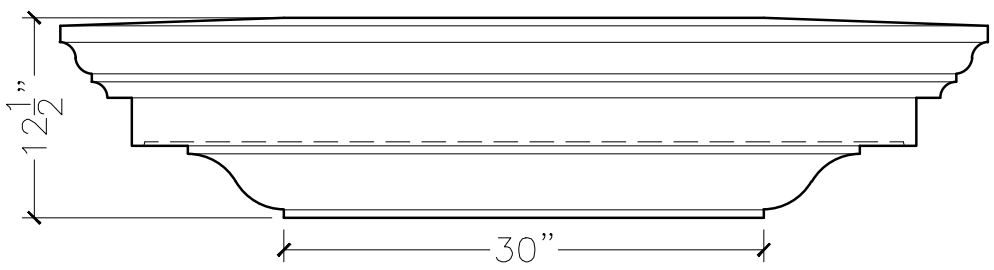


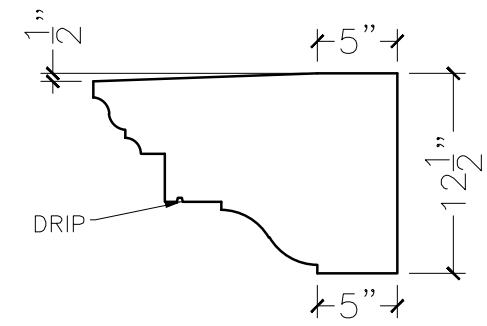
JOB:	MOLD: BC-94 30"DBL.RETURN
BAY#: STORAGE BUILDING	STONE COLOR:
DATE:	SCALE: 1"=12" NEED:



TOP VIEW



FRONT VIEW



SECTION VIEW