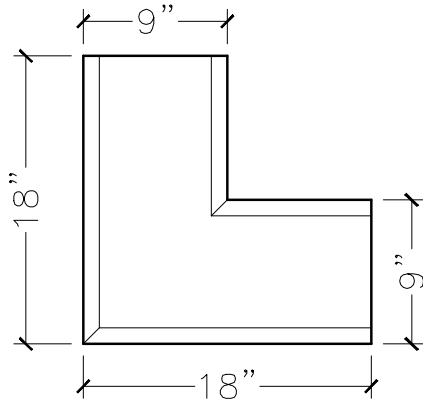
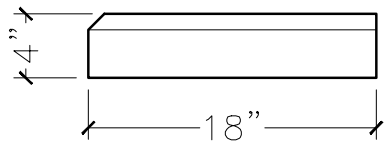


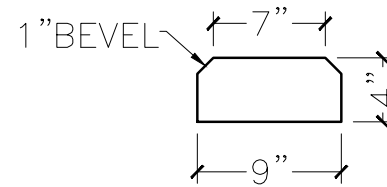
CUSTOMER:	
JOB:	MOLD: BR-1 18"X18"L-SHAPE
BAY#: 48-A	STONE COLOR:
DATE:	SCALE: 1"=12"      NEED:



TOP VIEW



FRONT VIEW



SECTION VIEW