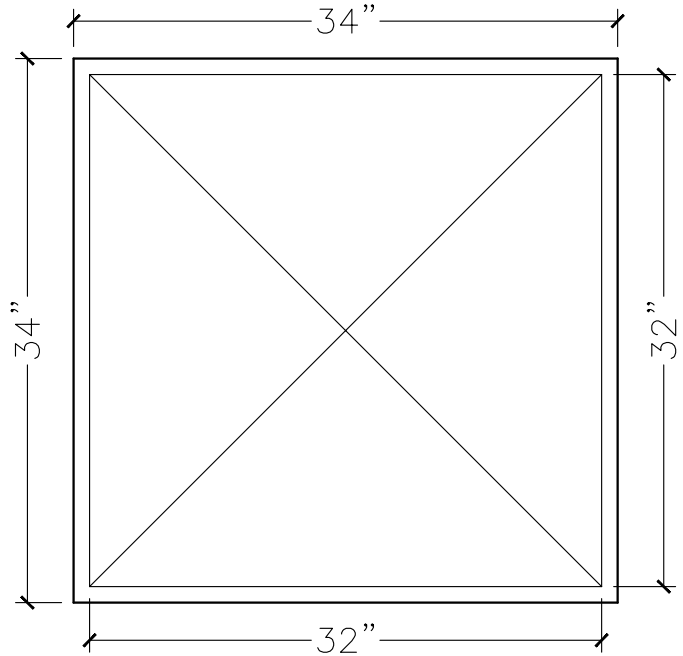
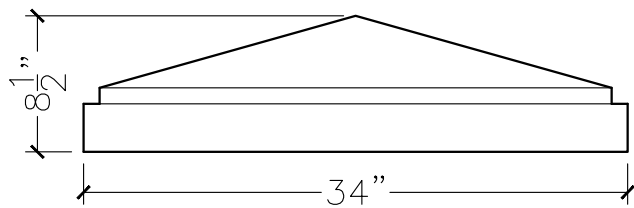


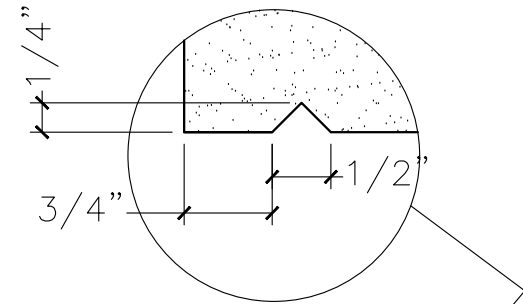
CUSTOMER:			
JOB:		MOLD: CC-213	
BAY#:	114-A	STONE COLOR:	
DATE:		SCALE: 1"=12"	NEED:



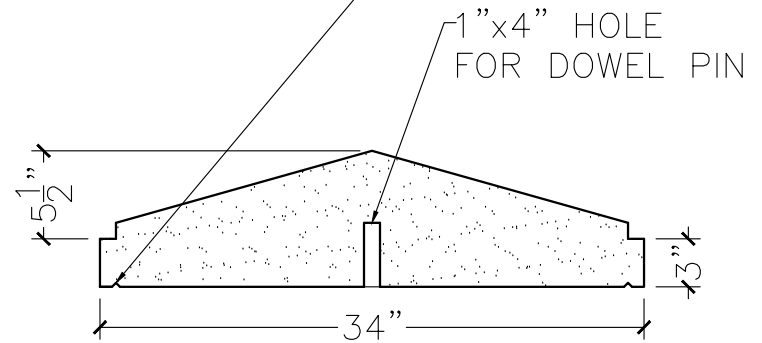
TOP VIEW



FRONT VIEW



DRIP EDGE DETAIL
*NOT TO SCALE



SECTION VIEW