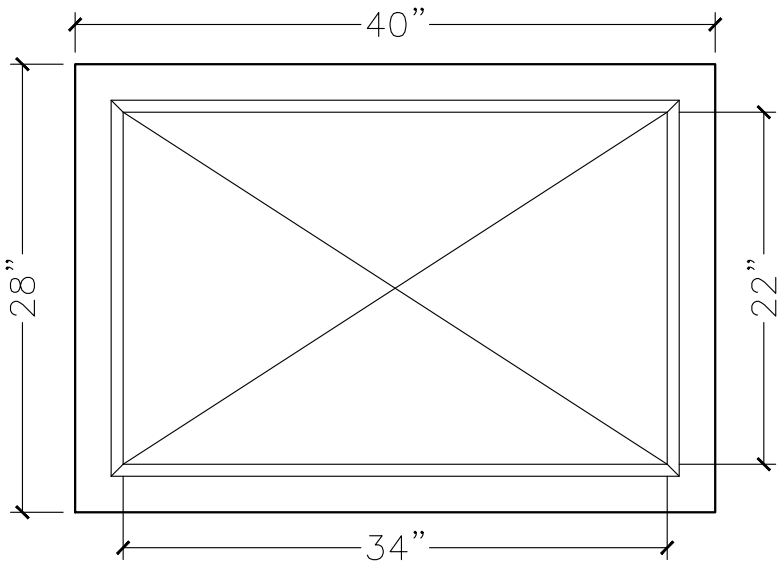
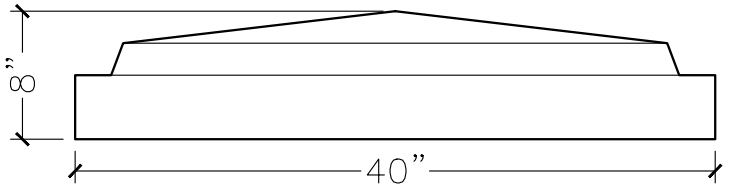


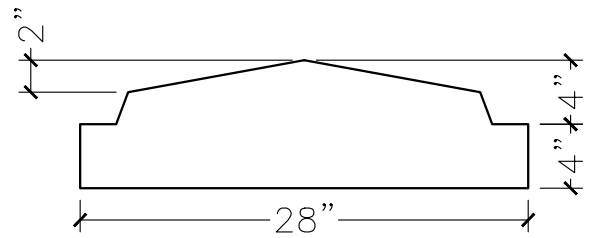
|             |               |       |
|-------------|---------------|-------|
| CUSTOMER:   |               |       |
| JOB:        | MOLD: CC-240  |       |
| BAY#: 325-A | STONE COLOR:  |       |
| DATE:       | SCALE: 1"=12" | NEED: |



TOP VIEW



FRONT VIEW



SECTION VIEW