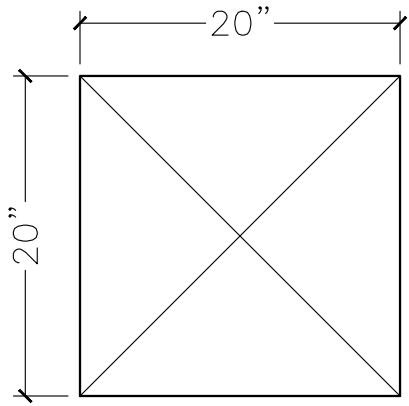
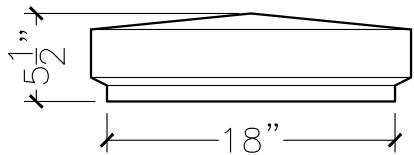


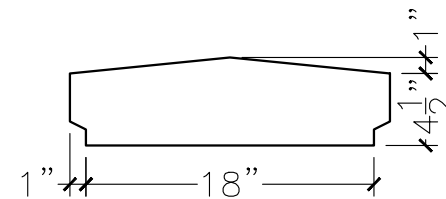
CUSTOMER:	
JOB:	MOLD: CC-299
BAY#: 319-B	STONE COLOR:
DATE:	SCALE: 1"=12"      NEED:



TOP VIEW



FRONT VIEW



SECTION VIEW