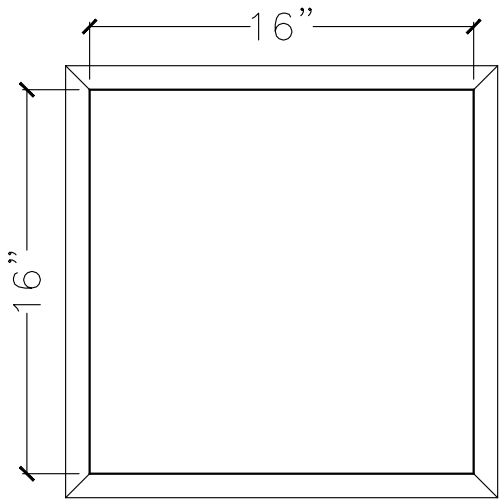
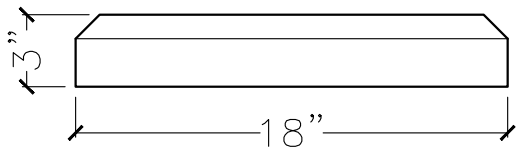


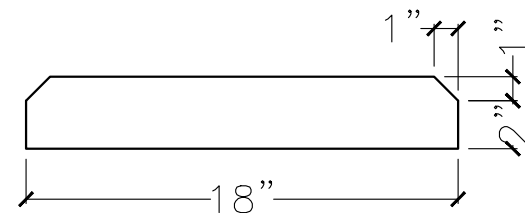
CUSTOMER:	
JOB:	MOLD: CC-325
BAY# 338	STONE COLOR:
DATE:	SCALE: 1 $\frac{1}{2}$ " = 12" NEED:



TOP VIEW



FRONT VIEW



SECTION VIEW