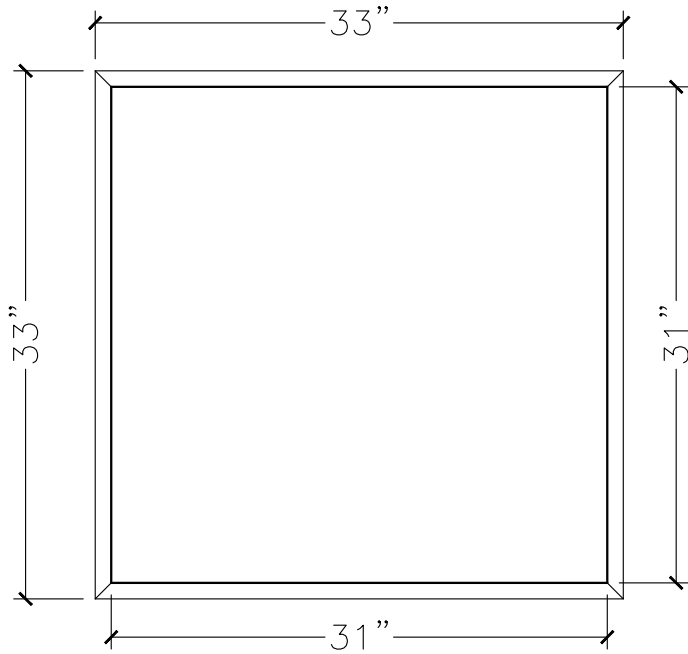
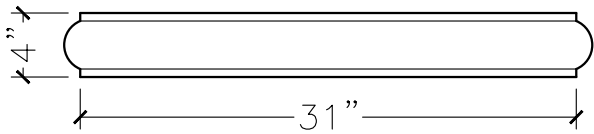


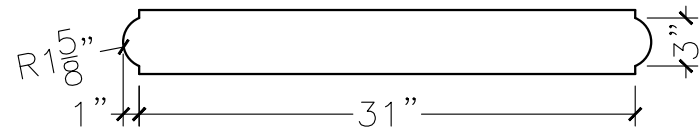
CUSTOMER:			
JOB:		MOLD: CC-327	
BAY#: 303-A		STONE COLOR:	
DATE:		SCALE: 1"=12"	NEED:



TOP VIEW



FRONT VIEW



SECTION VIEW