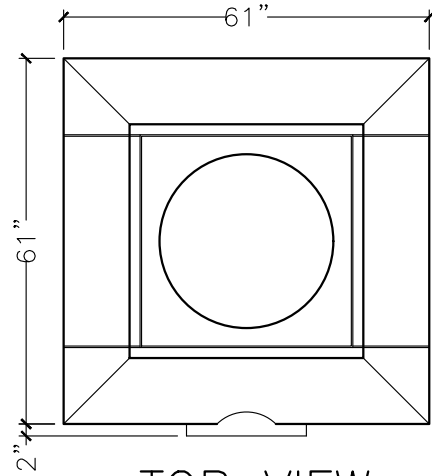
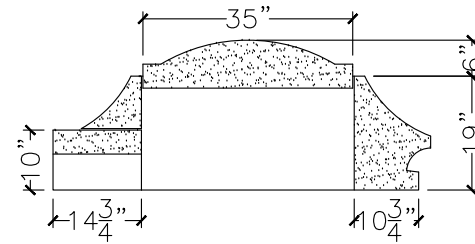


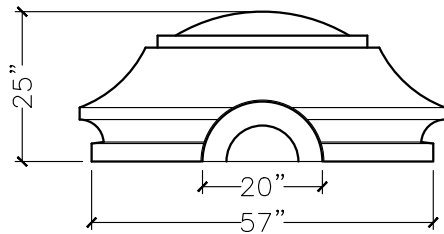
CUSTOMER:		
JOB:	MOLD: CC-339	
BAY#: 268	STONE COLOR:	
DATE:	SCALE: $\frac{3}{8}'' = 12''$	NEED:



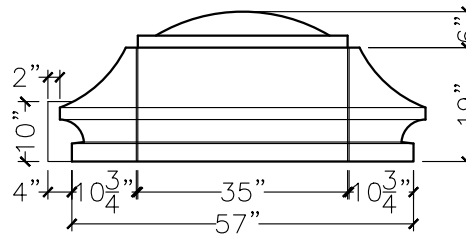
TOP VIEW



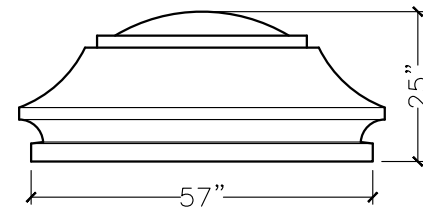
SECTION



FRONT VIEW



SIDE VIEW



BACK VIEW