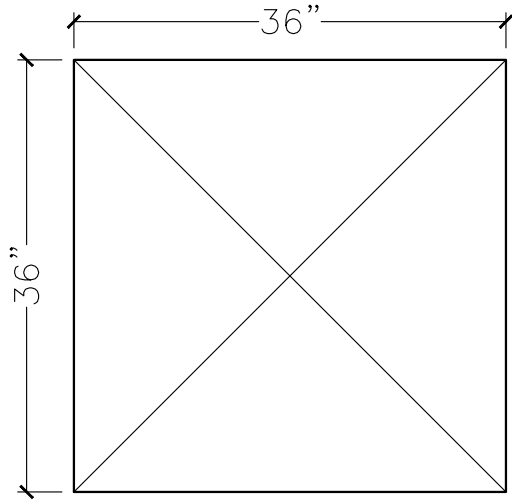
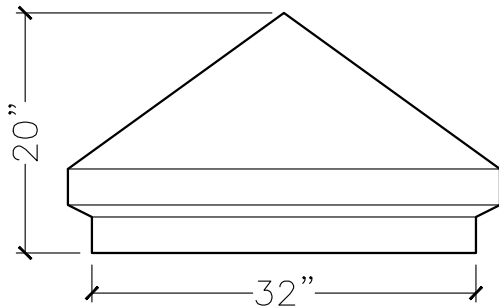


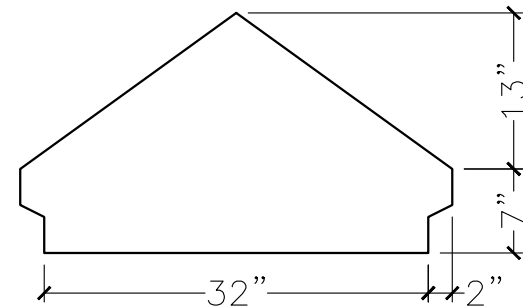
|           |                               |       |
|-----------|-------------------------------|-------|
| CUSTOMER: |                               |       |
| JOB:      | MOLD: CC-367                  |       |
| BAY# 85-B | STONE COLOR:                  |       |
| DATE:     | SCALE: $\frac{3}{4}'' = 12''$ | NEED: |



TOP VIEW



FRONT VIEW



SECTION VIEW