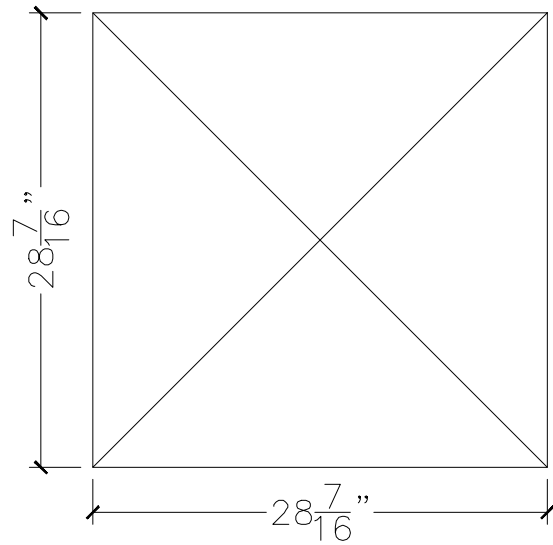
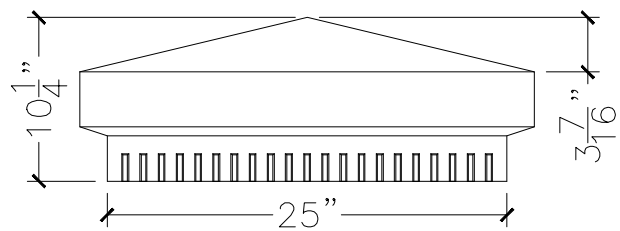
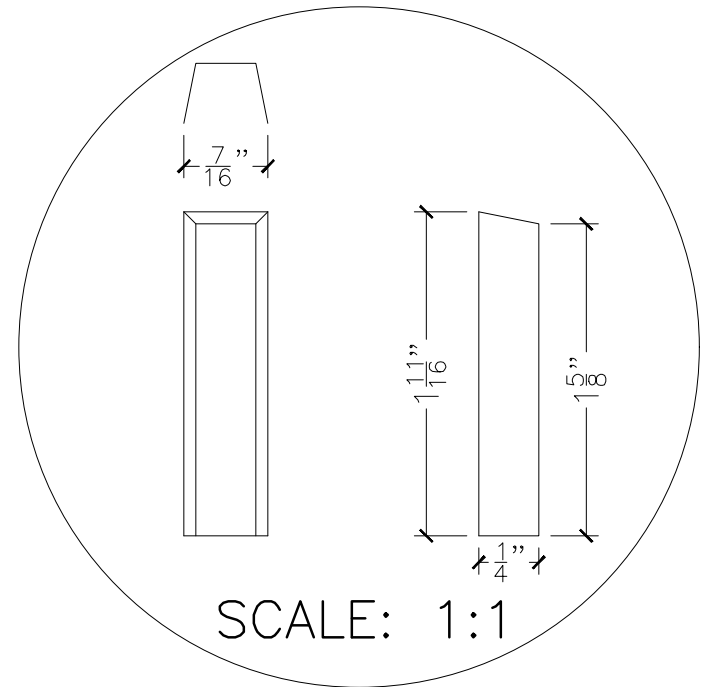


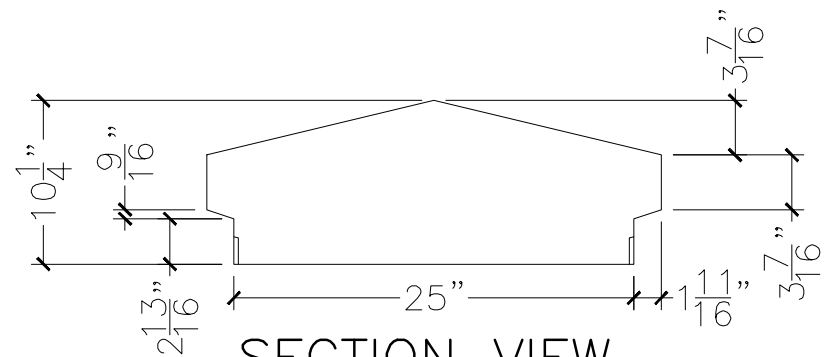
CUSTOMER:	
JOB:	MOLD: CC-466
BAY#: 259	STONE COLOR:
DATE:	SCALE: 1"=12" NEED:



TOP VIEW



FRONT VIEW



SECTION VIEW