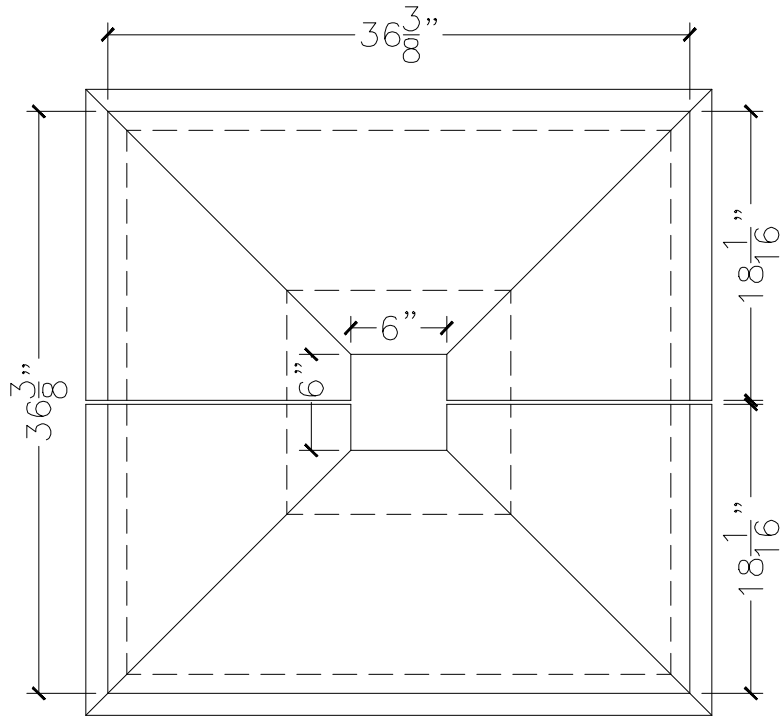
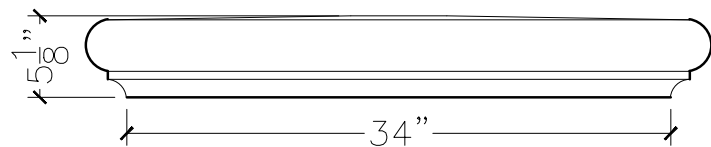


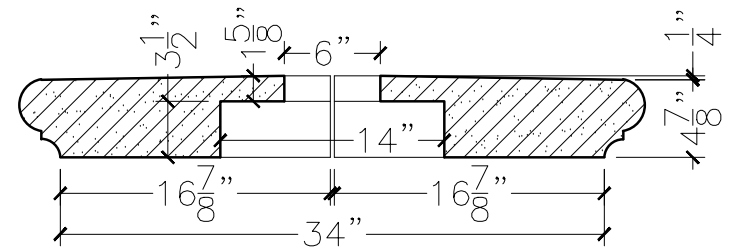
CUSTOMER:	
JOB:	MOLD: CC-497
BAY#: 35-B	STONE COLOR:
DATE:	SCALE: 1"=12"    NEED:



TOP VIEW



FRONT VIEW



SECTION VIEW