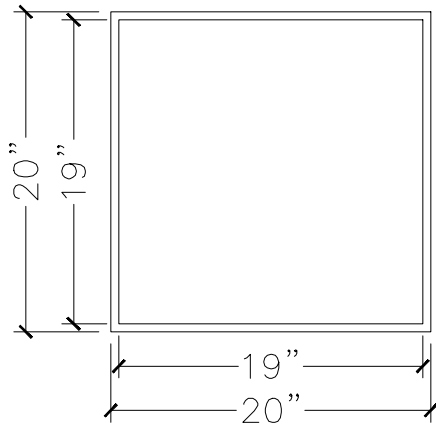
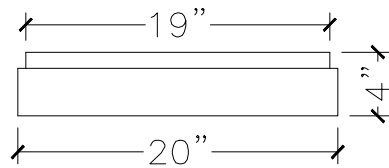


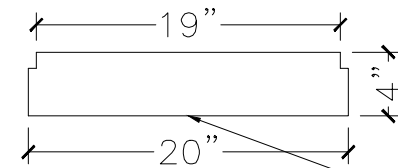
CUSTOMER:	
JOB:	MOLD: CC-514
BAY#: 2-B	STONE COLOR:
DATE:	SCALE: 1"=12" NEED:



TOP VIEW



FRONT VIEW



SECTION VIEW

TAMP HERE