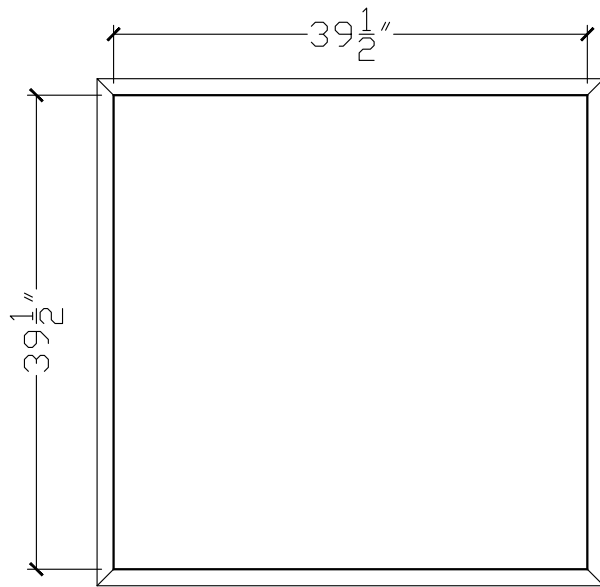
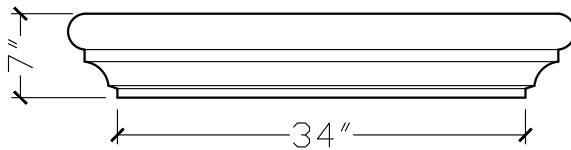


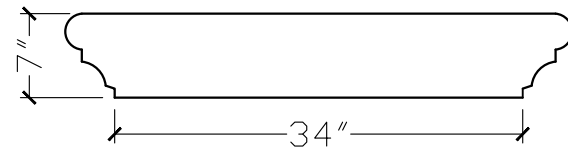
CUSTOMER:	
JOB:	MOLD: CC-116(MODIFIED)
BAY# 306-A	STONE COLOR:
DATE:	SCALE: $\frac{3}{4}''=12''$ NEED:



TOP VIEW



FRONT VIEW



SECTION VIEW