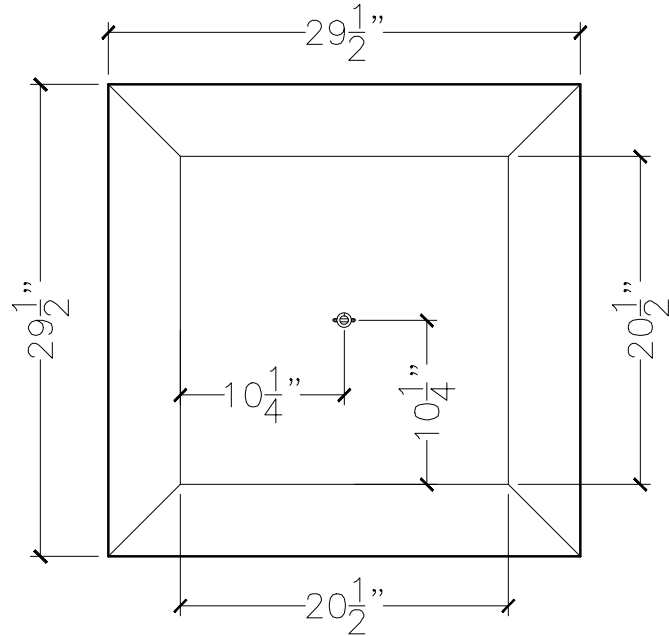
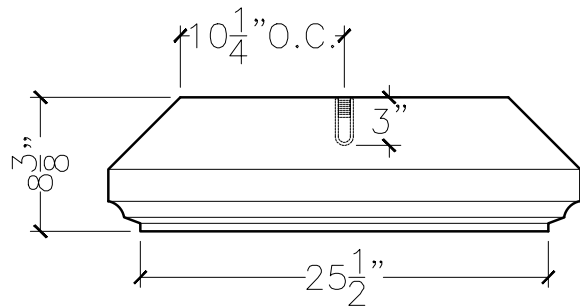


JOB:	MOLD: CC-145	
BAY#: 309-B	STONE COLOR:	
DATE:	SCALE: 1"=12"	NEED:

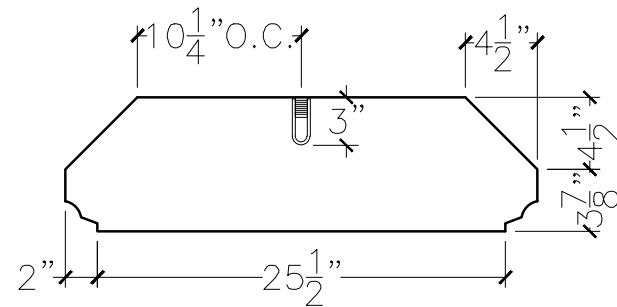


TOP VIEW

NOTE: PUT INSERT IN CENTER
"RECESSED" FOR LIFTING.



FRONT VIEW



SECTION VIEW