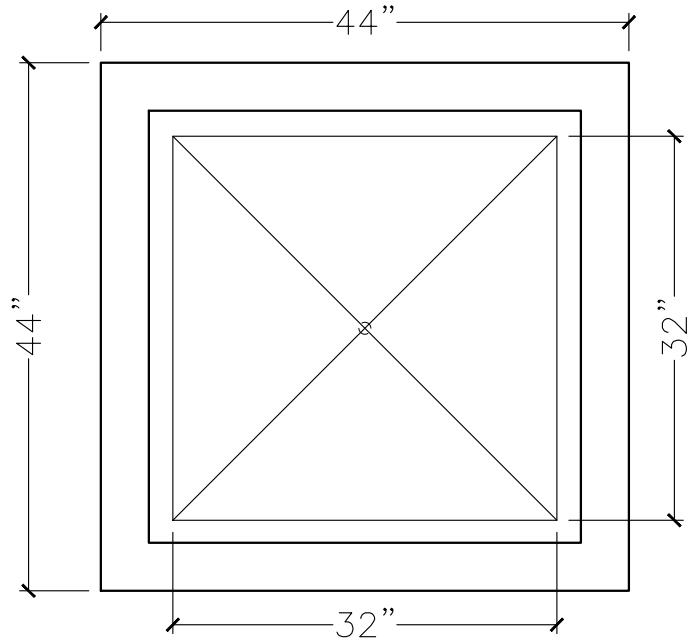
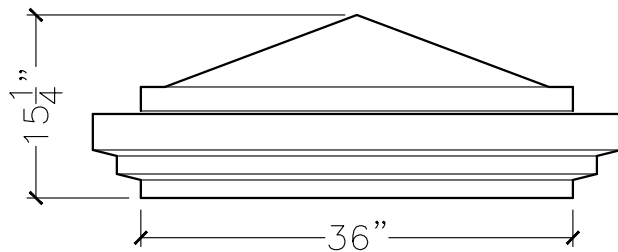


CUSTOMER:			
JOB:		MOLD: CC-31	
BAY#	106-A	STONE COLOR:	
DATE:		SCALE: $\frac{3}{4}'' = 12''$	NEED:

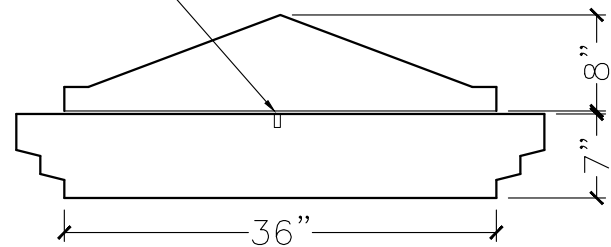


TOP VIEW



FRONT VIEW

INSERT IN
CENTER OF STONE



SECTION VIEW