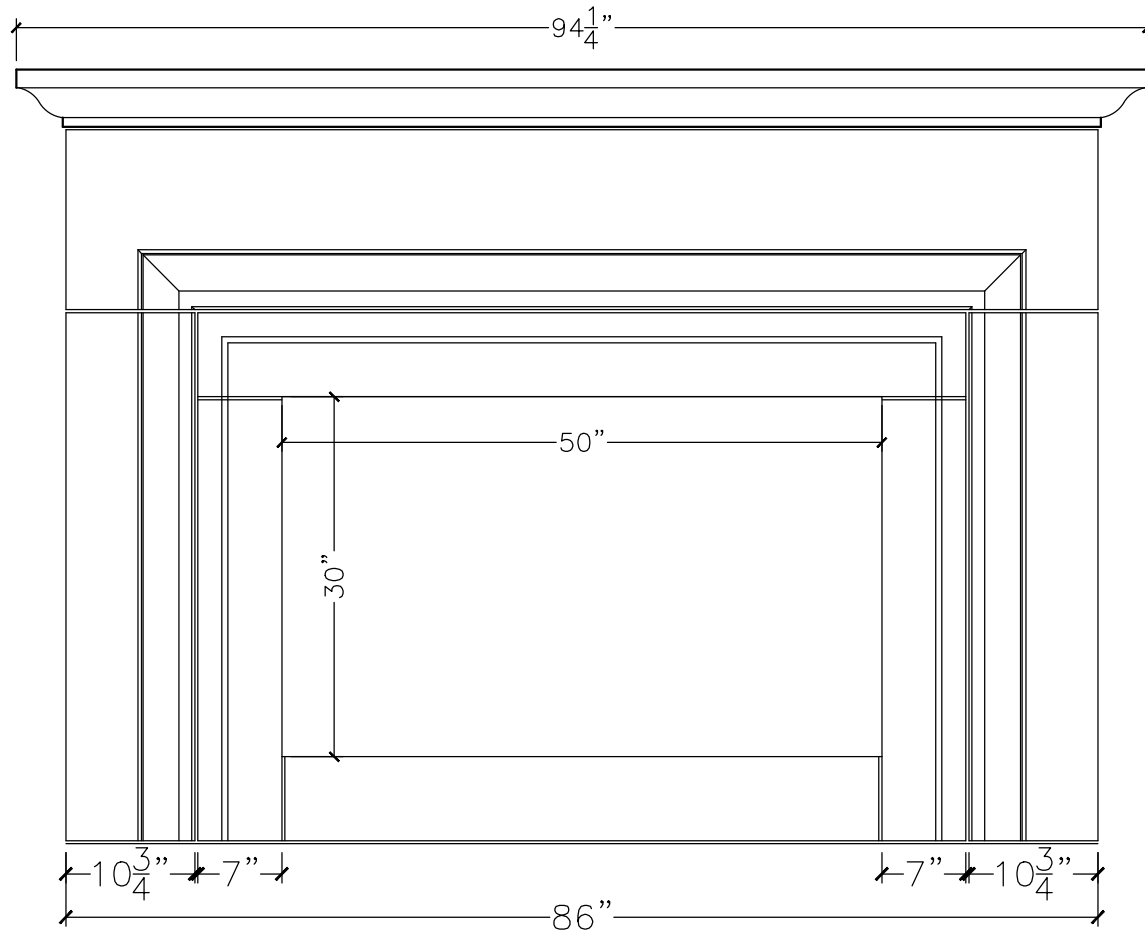
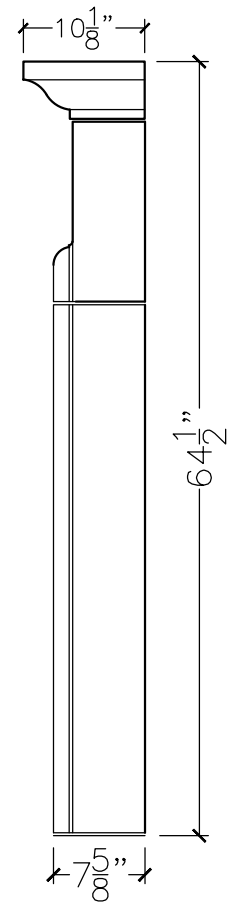


CUSTOMER:	
JOB:	MOLD: CFS-7300
BAY#	STONE COLOR:
DATE:	SCALE: $\frac{3}{4}'' = 12''$ NEED:



FRONT VIEW



SIDE VIEW