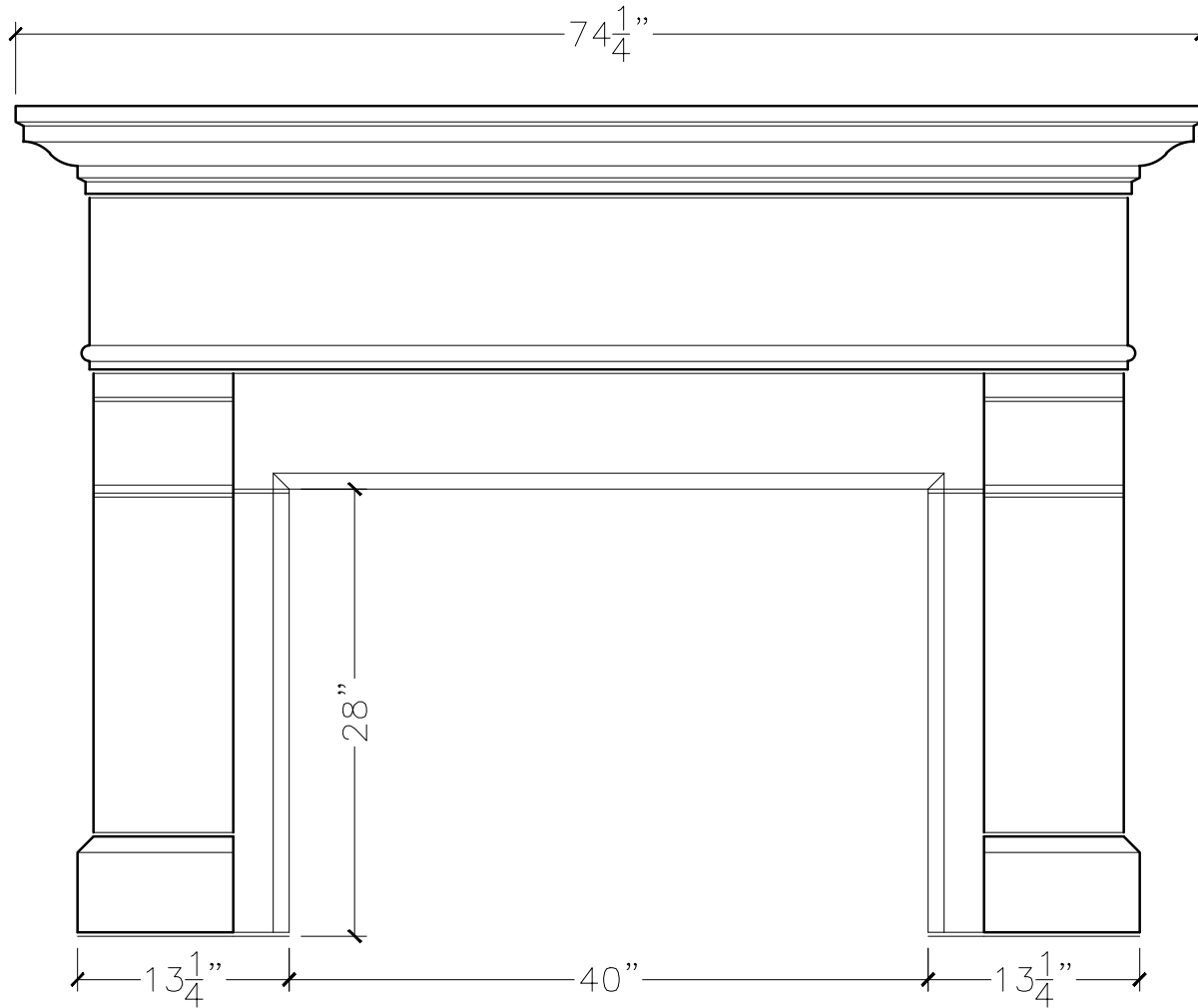
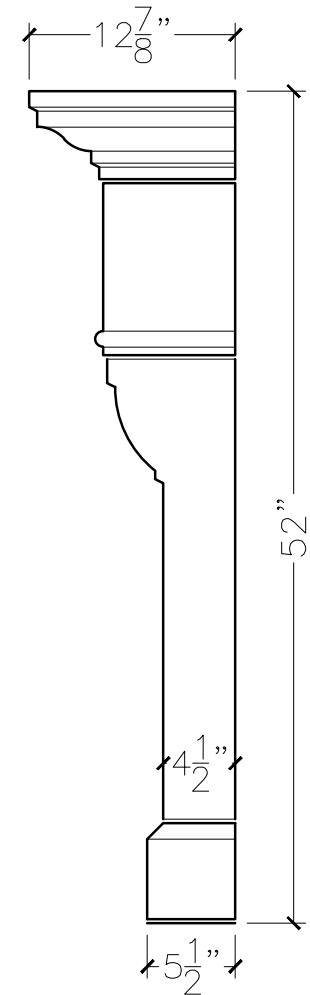


CUSTOMER:	
JOB:	MOLD: CFS-8200
BAY#: 73	STONE COLOR:
DATE:	SCALE: 1"=12" NEED:



FRONT VIEW



SIDE