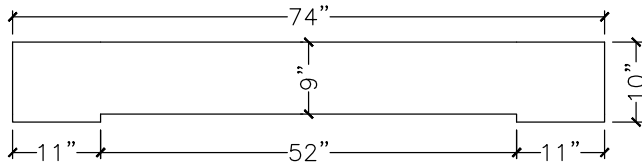
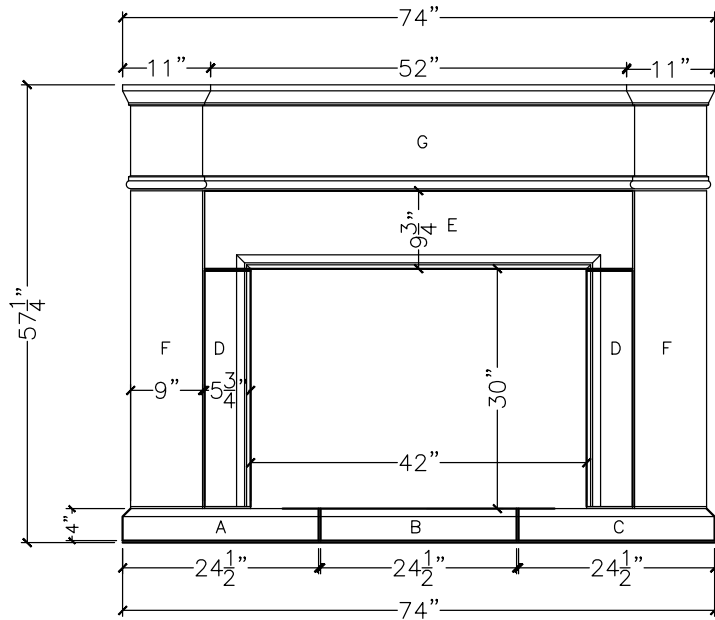


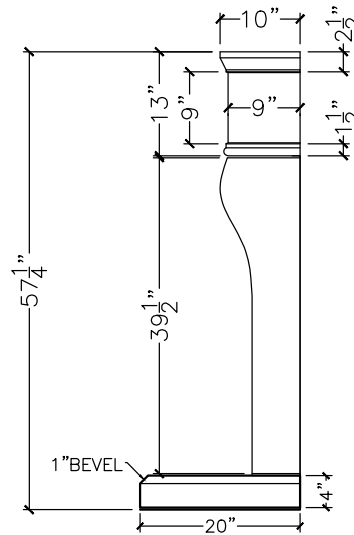
CUSTOMER:	
JOB:	MOLD: CFS-8800
BAY#: 294	STONE COLOR:
DATE:	SCALE: $\frac{1}{2}'' = 12''$ NEED:



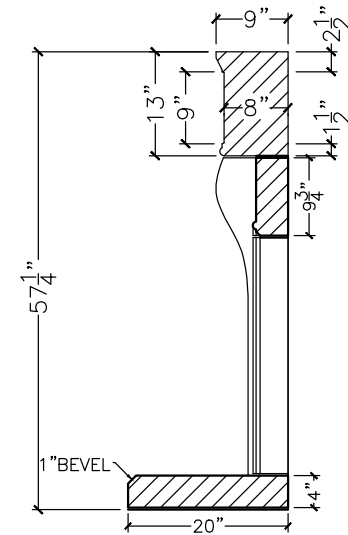
TOP VIEW



FIREPLACE DETAIL



END VIEW



MIDDLE SECTION