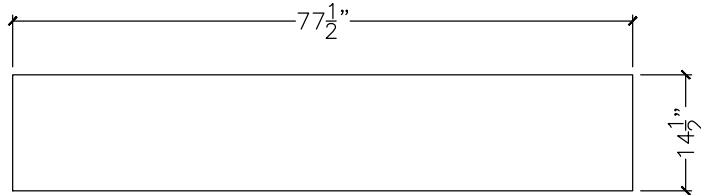
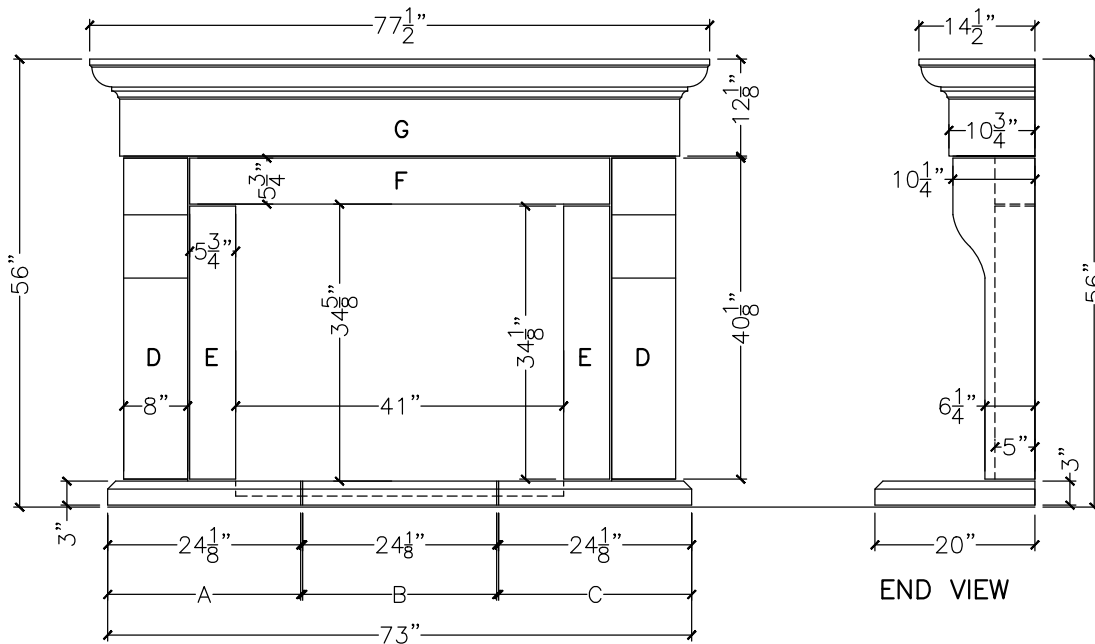


CUSTOMER:	
JOB:	MOLD: CFS-9200
BAY#:52-A,53-A,101-A,98-A,287	STONE COLOR:
DATE:	SCALE: $\frac{1}{2}''=12''$ NEED:



TOP VIEW



FRONT VIEW

END VIEW