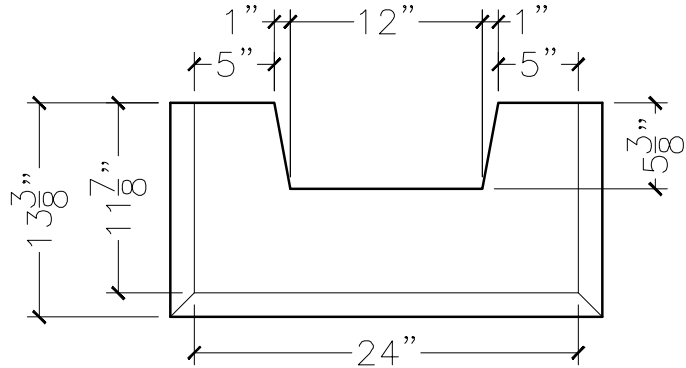
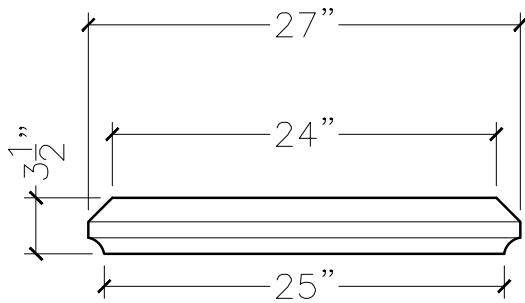


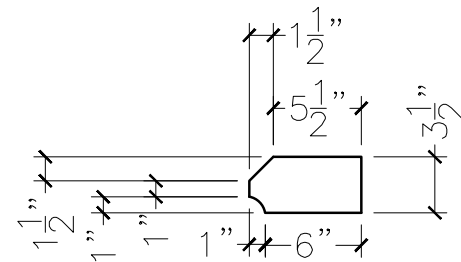
JOB:	MOLD: CWT-24
BAY#: 49-B	STONE COLOR:
DATE:	SCALE: 1"=12" NEED:



TOP VIEW



FRONT VIEW



SECTION VIEW