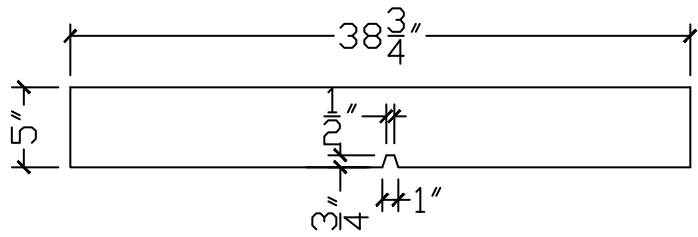
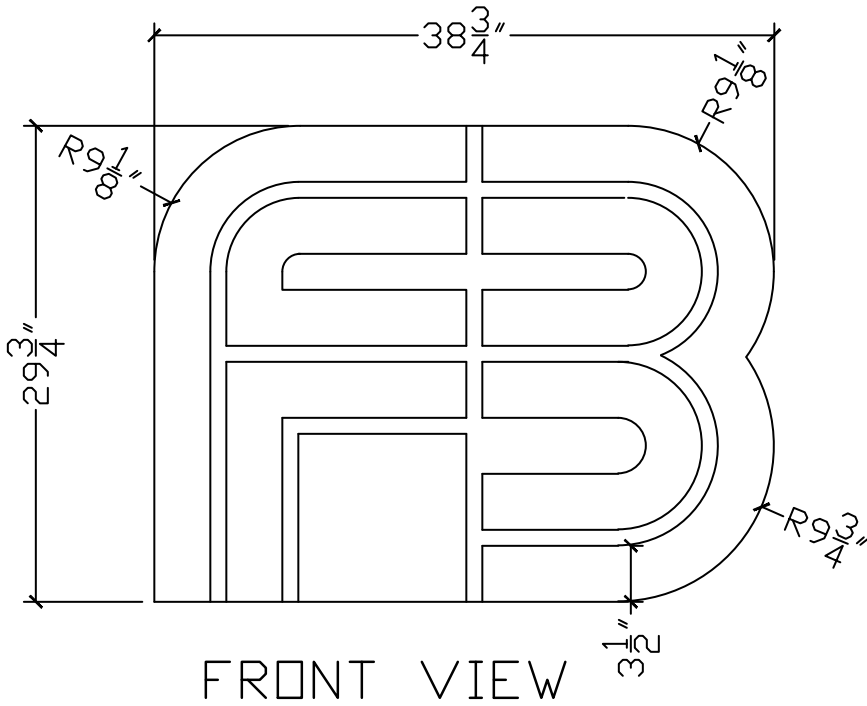


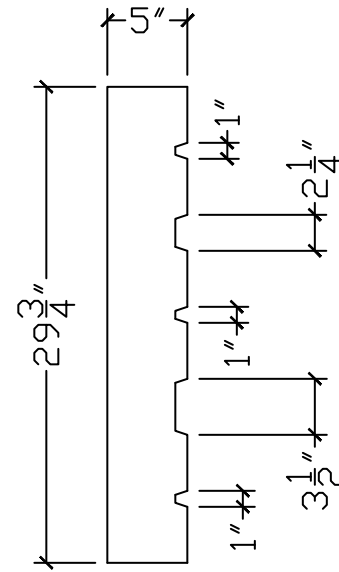
CUSTOMER:	
JOB:	MOLD: DECORATIVE BLOCK#21
BAY#: 92	STONE COLOR:
DATE:	SCALE: 1"=12" NEED:



TOP VIEW



FRONT VIEW



SECTION VIEW