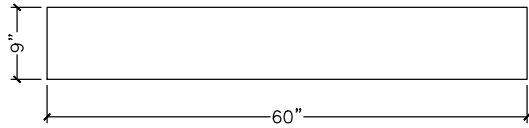
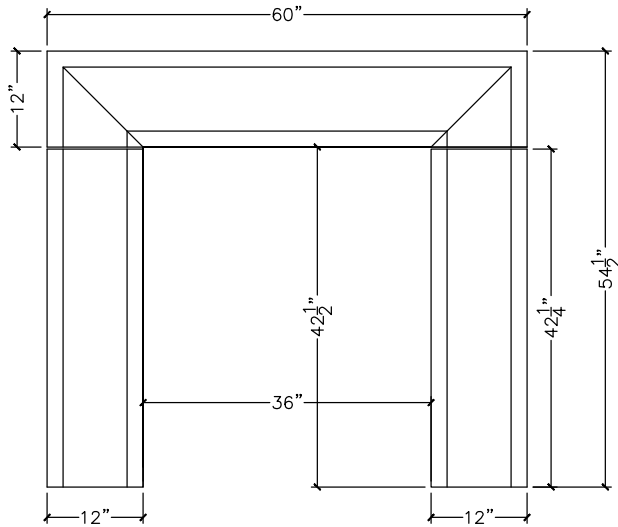


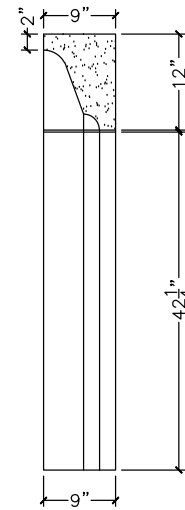
CUSTOMER:	
JOB:	MOLD: FS-47 36"W OPENING
BAY#: 132	STONE COLOR:
DATE:	SCALE: $\frac{1}{2}$ "=12" NEED:



TOP VIEW



FRONT VIEW



SECTION VIEW