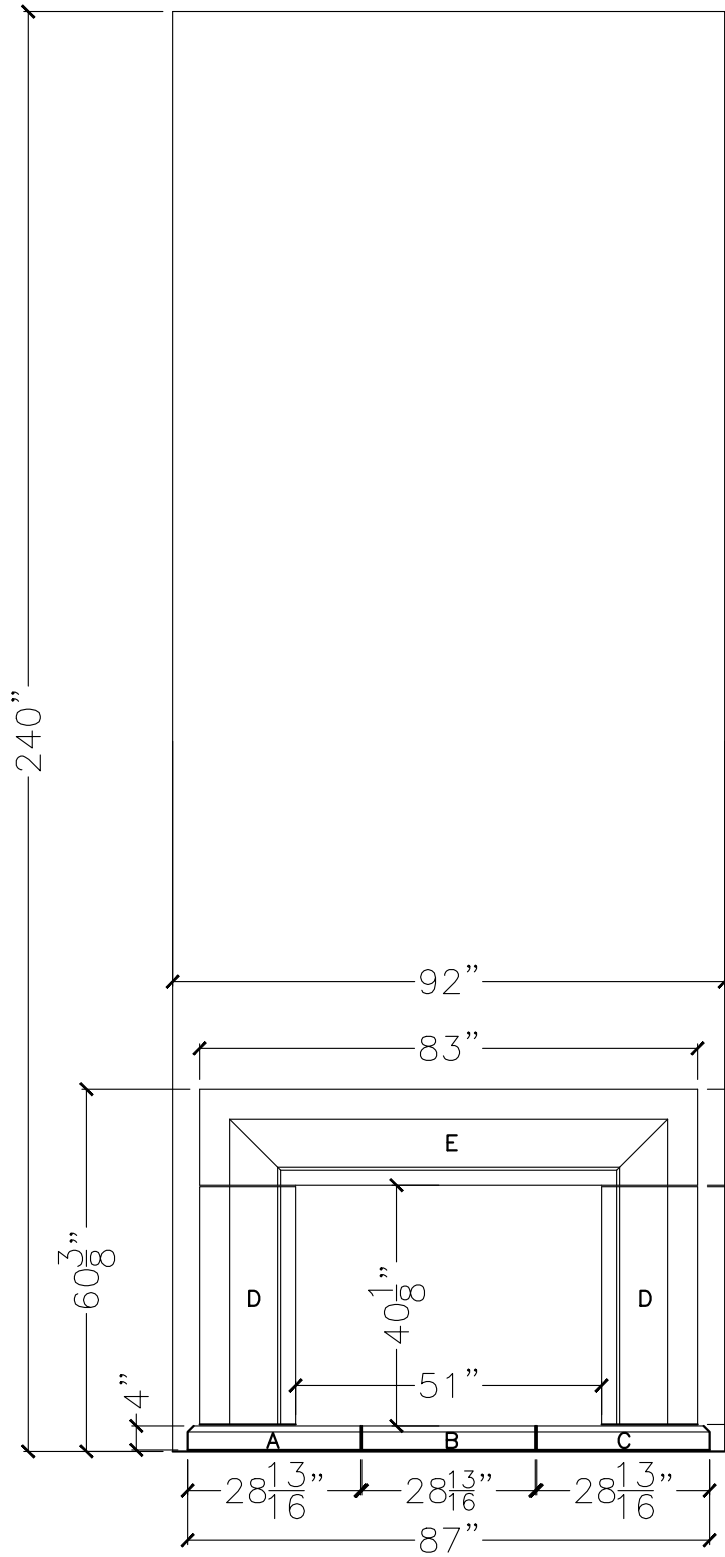
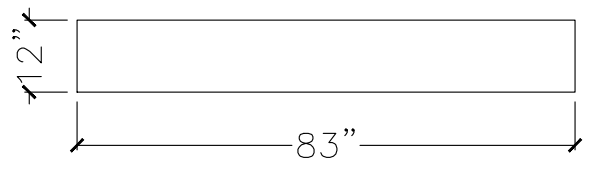


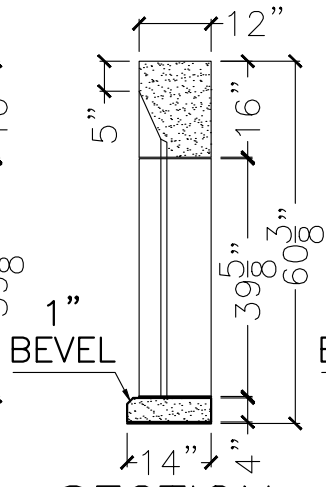
CUSTOMER:	
JOB:	MOLD: FS-51
BAY#: 26-A, 183	STONE COLOR:
DATE:	SCALE: $\frac{3}{8}" = 12"$ NEED:



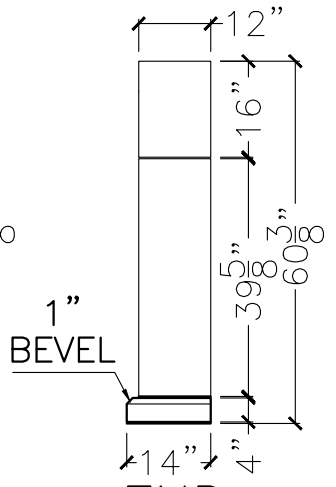
FRONT VIEW



TOP VIEW



SECTION VIEW



END VIEW