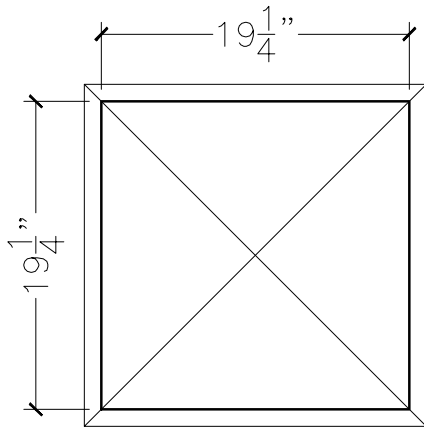
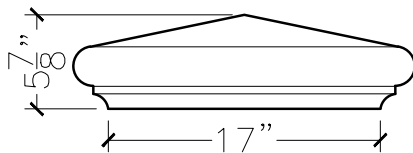


CUSTOMER:	
JOB:	MOLD: CC-405
BAY#: 336-A	STONE COLOR:
DATE:	SCALE: 1"=12" NEED:

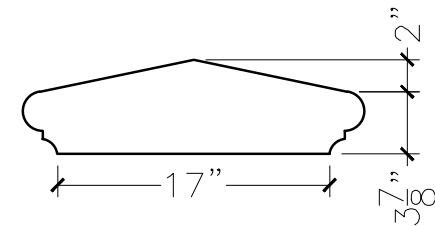


TOP VIEW

NP-1700 PART C



FRONT VIEW



SECTION VIEW