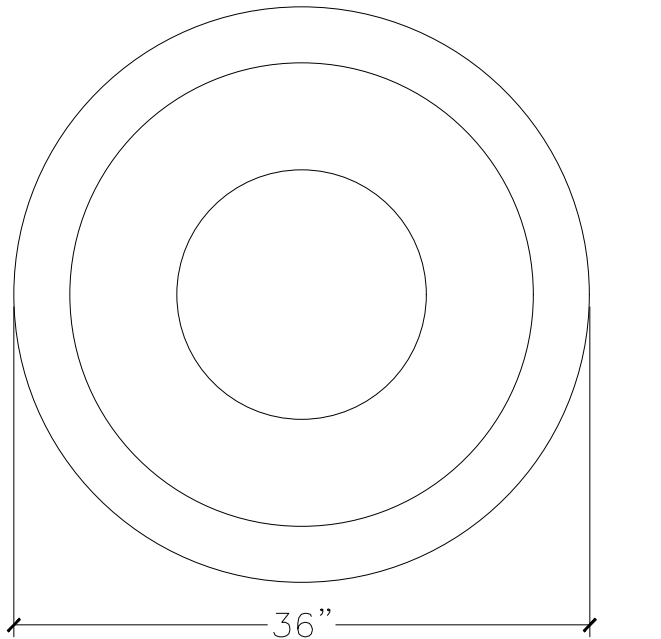
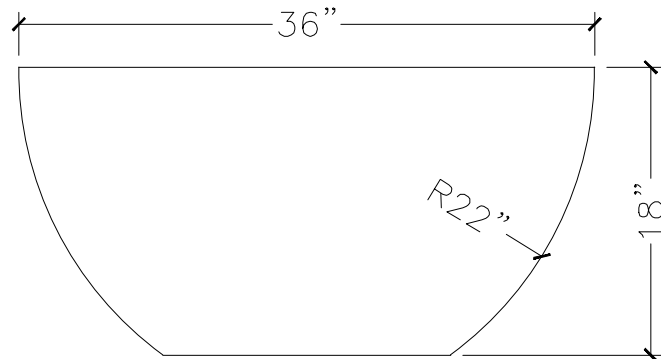


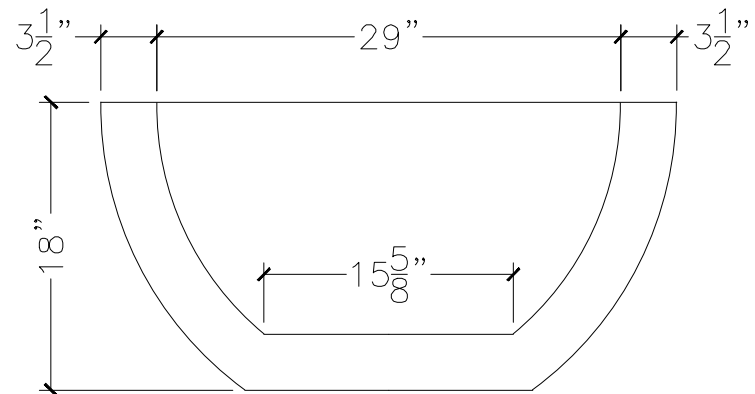
CUSTOMER:	
JOB:	MOLD: PLANTER-1200 36" DIA.
BAY#: STORAGE BUILDING	STONE COLOR:
DATE:	SCALE: 1"=12" NEED:



TOP VIEW



FRONT VIEW



SECTION VIEW