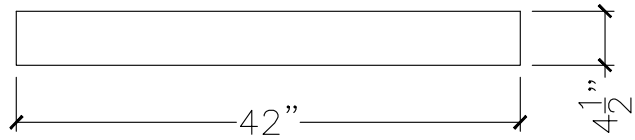
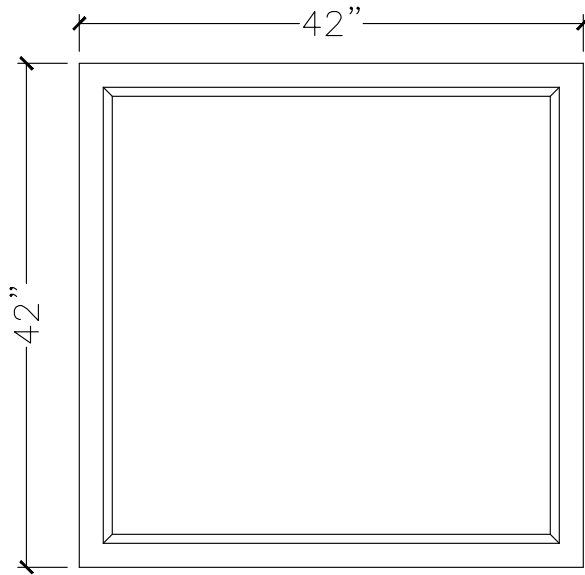


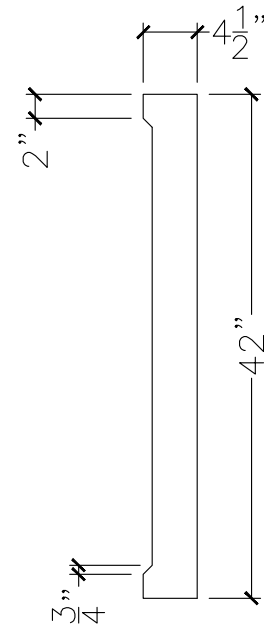
CUSTOMER:	
JOB:	MOLD: RB-121
BAY#: 96-A	STONE COLOR:
DATE:	SCALE: $\frac{3}{4}" = 12"$ NEED:



TOP VIEW



FRONT VIEW



SECTION VIEW