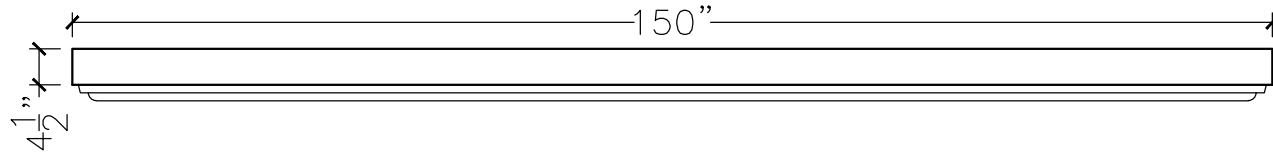
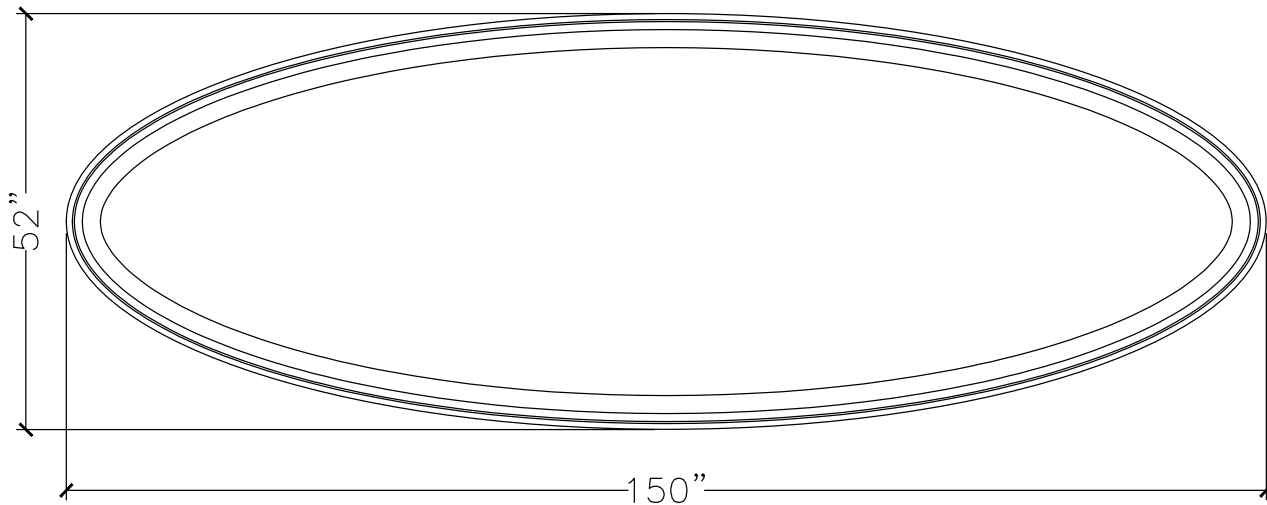


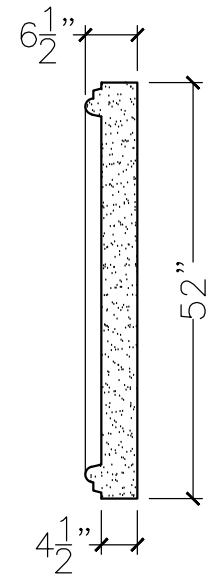
CUSTOMER:			
JOB:		MOLD: SIGN-318	
BAY#: STORAGE BUILDING		STONE COLOR:	
DATE:		SCALE: $\frac{1}{2}'' = 12''$	NEED:



TOP VIEW



FRONT VIEW



SECTION