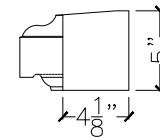
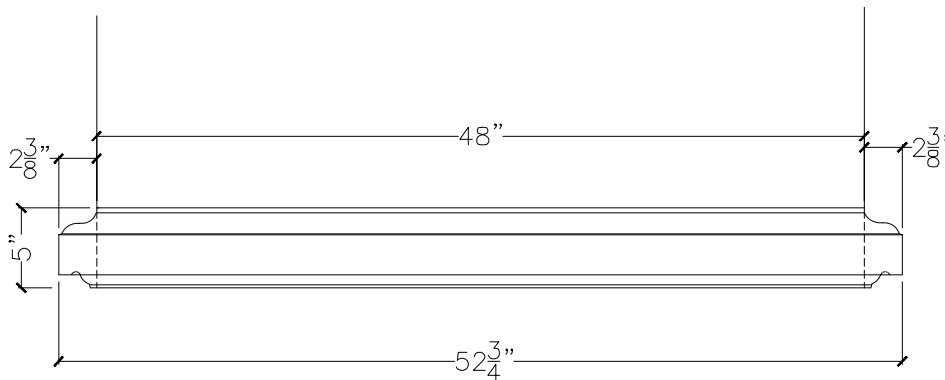


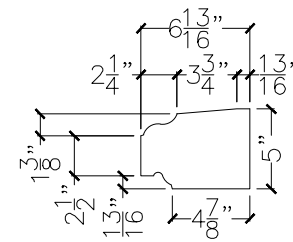
CUSTOMER:	
JOB:	MOLD: SILL-76 48" D.R.w/NOTCH
BAY#: 169-A	STONE COLOR:
DATE:	SCALE: 1"=12" NEED:



END VIEW



FRONT VIEW



SECTION VIEW