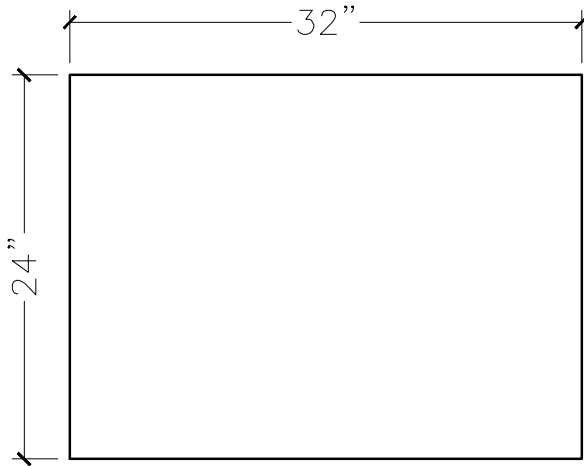
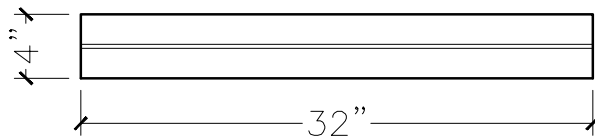


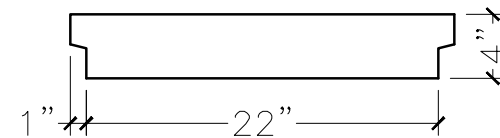
CUSTOMER:	
JOB:	MOLD: WC-164 22"W 32"ST
BAY#: 181-B	STONE COLOR:
DATE:	SCALE: 1"=12"      NEED:



TOP VIEW



FRONT VIEW



SECTION VIEW