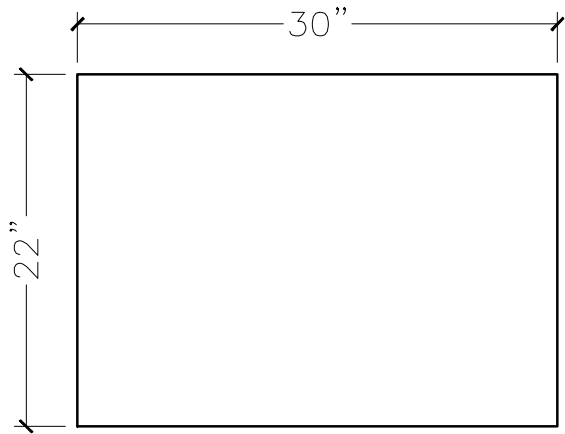
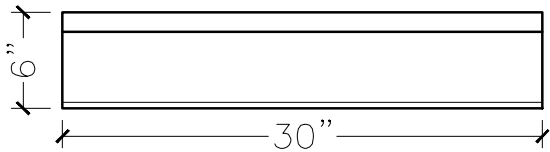


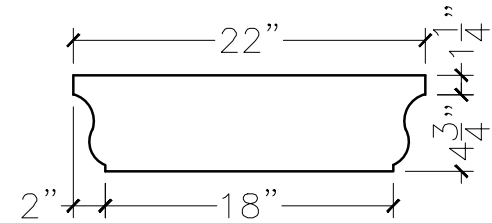
CUSTOMER:	
JOB:	MOLD: WC-177 18"W 30"ST
BAY#: 309	STONE COLOR:
DATE:	SCALE: 1"=12"      NEED:



TOP VIEW



FRONT VIEW



SECTION VIEW